



Cummins®

REPLACEMENT PARTS
FOR
CUMMINS® ENGINES

Parts Catalog



A MEMBER OF THE
FEL-PRO FAMILY
OF COMPANIES

Warranty

All FP Diesel new replacement parts, are warranted to be free from defects, in material and manufacture under normal use and service.

FP Diesel's simple coverage will extend twelve (12) months from date of installation in an engine without mileage or hours qualification.

FP Diesel will cover (replace free of charge or pay for) all labor and parts needed to repair the warrantable failure, including progressive damage to the engine concerned.

CONDITIONS

1. FP Diesel must be notified by customer before filing a warranty claim.
2. All warranty claims must be in writing and FP Diesel reserves the right to examine every single engine or part subject to a claim under this warranty.
3. Price of parts will be based on FP Diesel's current price list or other accepted suppliers at FP Diesel's option. Cost of labor will be of reasonable hourly flat rate (overtime or holiday rates are not accepted).

LIMITATIONS

1. The provisions of this warranty shall not apply to any FP Diesel part altered from its original specification or which has been misused, exposed to weather conditions, negligence, or damage by accident.
2. This warranty is provided solely to direct customers of FP Diesel and not to any other party. It is the only agreement or obligation of FP Diesel. All other warranties, expressed or implied, including the warranties of merchantability and/or fitness for a particular purpose are excluded.

All manufacturers names, numbers, symbols and descriptions are used for reference purposes only, and it does not imply that any part listed is the product of these manufacturers.

General Information and the Best Way to Use the Catalog

This catalog concentrates only on the most frequently needed replacement parts, which are also the fastest moving parts and repair kits. Because of that, many parts manufactured by FP Diesel L.P. are in our price list but are not reflected in this catalog.

Most of the parts and repair kits are manufactured by FP Diesel L.P., but some are not. You can refer to our price list to find if the part you are looking for is in our constantly growing line. If not, please call our customer service department for more information. You will be surprised at the assistance and help you will be given.

The FP Diesel catalog is arranged by engine group type and then by engine series. The catalog only covers the Small V, 743, 855, Medium V, V-28 and KT Series engines, this does not represent the complete coverage of our line, just the popular parts for the above mentioned engines. You can find your way easily by referring to the group type parts you are looking for, or to the Alphabetical Index when you only have the name of the required part.

IMPORTANT NOTICE:

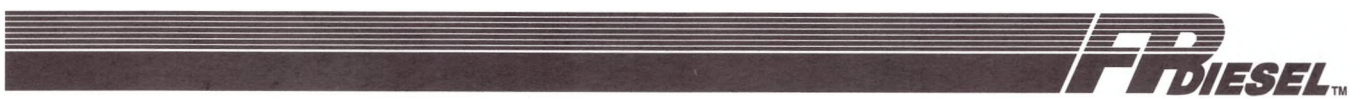
This catalog does not replace the Cummins Part Catalogs or Service Manuals. If in doubt, consult your Cummins Publications, or film card system for further information as required.

All manufacturer's numbers, names, symbols and descriptions are used for reference purposes and it is not implied that any part listed is the product of these manufacturers.

/ MASTER PARTS LISTING — GROUP BREAKDOWN

BLOCK GROUP 01	GROUP NUMBER	LUBRICATING SYSTEM 07	GROUP NUMBER
Cylinder Block	01.01.0	Oil Pan	07.01.0
Cylinder Liner	01.01.1	Dipstick and Tube	07.02.0
Crankshaft	01.02.0	Lubricating Oil Filter	07.03.0
Main Bearings	01.02.1	Lubricating Oil Cooler	07.05.0
Vibration Damper	01.02.2	Lubricating Oil Filter & Cooler	07.03.0
Connecting Rods	01.04.0	(Piston Cooled)	
Pistons	01.05.0	Lubricating Oil Pump	07.06.0
Cylinder Kits	01.05.1		
Piston Rings	01.05.2	COOLING SYSTEM 08	
Rear Cover	01.06.0	Water Pump and Pulley	08.01.0
Camshaft and Gear	01.07.0	Water Pump and Idler	08.01.0
Hand Hole Cover	01.08.0	Fan Hub	08.03.0
Gear Cover	01.09.0	Water Manifold, Connection	08.06.0
Compression Release Shaft	01.10.0	& Thermostat Housing	
		Water Filter	08.08.0
CYLINDER HEAD 02		DRIVE UNITS 09	
Cylinder Head	02.01.0	Accessory Drive	09.01.0
		Accessory Drive Pulley	09.03.0
ROCKER LEVERS 03		INTAKE SYSTEM 10	
Rocker Lever Housings	03.01.0	Intake Manifold	10.01.0
Rocker Cover	03.01.1	Aftercooler & Intake Manifold	10.01.0
Breather	03.02.0	Turbocharger	10.06.0
Jacobs Engine Brake	03.04.0		
CAM FOLLOWER 04		EXHAUST SYSTEM 11	
Housing and Levers	04.01.0	Exhaust Manifolds	11.01.0
Push Rods	04.02.0		
FUEL SYSTEM 05		AIR SYSTEM 12	
Fuel Pump	05.01.3	Compressors	12.01.0
Gear Pump	05.08.1		
		ENGINE MOUNTING, ADAPTATION 16	
FUEL SYSTEM 06		Flywheel Housing	16.01.0
Injectors	06.01.0	MISCELLANEOUS 17	
		Engine Overhaul Gasket Sets	17.01.1
		Cylinder Head Gasket Sets	17.02.0

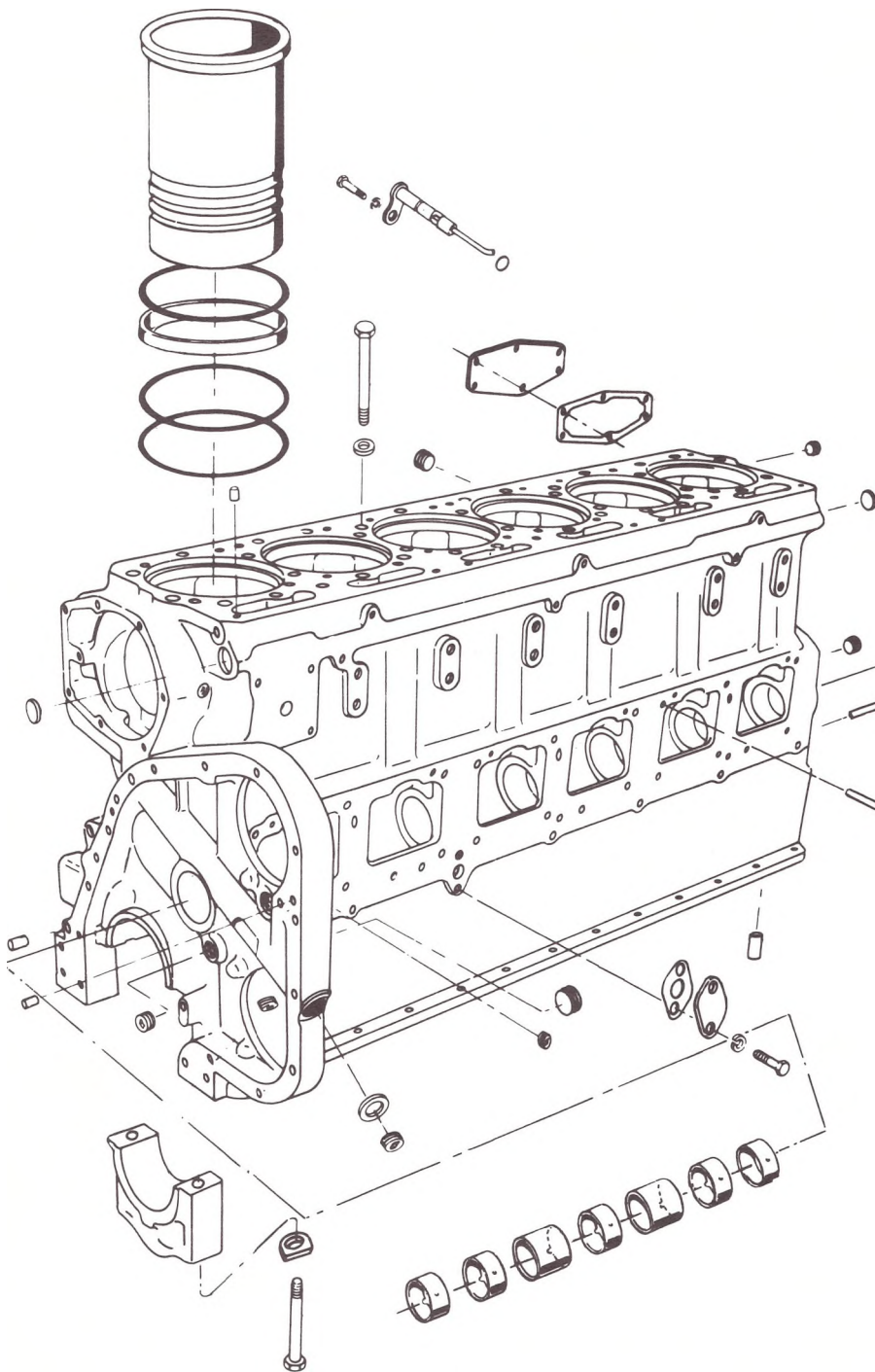




Alphabetical Listing

ITEM	PAGE	ITEM	PAGE
Cam Bearings.....	2	Oil Pan Gasket.....	47
Cam Follower Components.....	38	Piston.....	12-22
Camshafts.....	25-28	Piston Kits.....	12-22
Connecting Rod.....	7	Piston Pin, Retainers & Bushing.....	11
Connecting Rod Bearing.....	8	Piston Ring Sets.....	23
Crankshaft Assembly.....	5	Push Rods.....	39
Cylinder Heads.....	29	Rear Crankshaft Seal.....	24
Cylinder Kits.....	12-22	Rocker Levers.....	35
Dipstick & Tube.....	48	Rod, Bolt, Nut & Washer.....	9
Fuel Gear Pump.....	41-42	Tappet Follower Assembly.....	37
Fuel Injection & Components.....	44-45	Thermostat.....	52
Fuel Pump Gasket Set.....	40	Turbocharger Repair Kits.....	53
Gaskets.....	54-64	Upper Rocker Bushing.....	36
Small V Series.....	54	Valve Train Components.....	31-32
743 /NH220 Series.....	55	Warranty.....	I
855 Series.....	56-61	Water Pumps.....	49-50
Medium V Series.....	62	Water Pump Repair Kits.....	51
V-28 Series (1710).....	62		
KT Series.....	63-64		
General Information.....	II		
Head Bolts.....	33		
In-Frame Engine Kits.....	30		
Injector Assembly.....	43		
Injector Plungers & Barrels.....	46		
Injector Tubes.....	34		
Liner Kits.....	4		
Liner, O'Ring & Seals.....	3		
Lube Oil Cooler & Pump.....	48		
Main Cap Bolt & Washer.....	10		
Main Bearings Set.....	6		
Master Parts Listing.....	III		





"Exploded View of Typical 855 Series Engine"

Cam Bearings

01.01.0

4 5/8" BORE

SMALL V SERIES

ENGINE MODEL	PART#	DESCRIPTION	PART#	DESCRIPTION
VVT 378	B3278345	POSITION 1 +4	B3031037	POSITION 2+ 3
VVT 504	B3278345	POSITION 1 +5	B3031037	POSITION 2,3,4
VVT 555	B3278345	POSITION 1+5	B3031037	POSITION 2,3,4
V8-210	B3278345	POSITION 1+5	B3031037	POSITION 2,3,4

51/8" BORE

743 SERIES (NH220)

ENGINE MODEL	PART#	DESCRIPTION		
743/NH220	BBM-27253	BEARING SET		

5 1/2" BORE

855 SERIES

ENGINE MODEL	PART#	DESCRIPTION		
SMALL CAM	BBM-27253	BEARING SET		
BIG CAM	B3801106	BEARING SET		

5 1/2" BORE

MEDIUM V SERIES

ENGINE MODEL	PART#	DESCRIPTION	PART#	DESCRIPTION
VVT 903	B0200780	POSITION 1+5	B0200790	POSITION 2,3,4

5 1/2" BORE

V-28 SERIES (1710)

ENGINE MODEL	PART#	DESCRIPTION		
VT/ VTA 28 (1710)	B0070437	ALL 28 POSITIONS		

6 1/4" BORE

KT SERIES

ENGINE MODEL	PART#	DESCRIPTION		
KT-19	B3002834	7 POSITIONS		
KT-38	B0205230	26 POSITIONS		
KT-50	B0205230	34 POSITIONS		



Liner, O-Ring & Seals

01.01.1

4 5/8" BORE

SMALL V SERIES

ENGINE MODEL	LINERS	O-RING	CREVICE SEAL	
VVT-378	B3022530	B0216284	B0216283	
VVT-504	B3022530	B0216284	B0216283	
VVT-555	B3022529	B0216284	B0216283	
V8-210	B3022530	B0216284	B0216283	

5 1/8" BORE

743 SERIES (NH220)

ENGINE MODEL	LINERS	DESCRIPTION	O-RING	CREVICE SEAL
743/NH-220	B0184400	BOTTOM (SILICONE)	B0181449	B0215983
743/NH-220	B0184400	TOP	B0216879	B0215983
743/HR-6	B0184420	2-VALVE HEAD		

5 1/2" BORE

855 SERIES

ENGINE MODEL	LINERS	O-RING	CREVICE SEAL	O-RING KIT
855 SERIES	B3055099	B3032874	B0215090	BAR-51477
855 SERIES	B3042325 .020			
855 SERIES	B3065405 .020/.040			

5 1/2" BORE

MEDIUM V SERIES

ENGINE MODEL	DESCRIPTION	LINERS	O-RING	CREVICE SEAL
VVT 903	BLACKTOP	B0203170	B3032874	B3044795
VVT 903	RED BOTTOM	B0203170	B3032874	B3044795

5 1/2" BORE

V28 SERIES (1710)

ENGINE MODEL	LINERS	O-RING	CREVICE SEAL	
VT/VTA 28(1710)	B3055099	B3032874	B0215090	

6 1/4" BORE

KT SERIES

OUTER DIMENSION	DESCRIPTION	LINERS	O-RING	CREVICE SEAL
FLANGE O.D. 7.495	THICK FLANGE .526	B3022157	B3014668 &	B0205115
FLANGE O.D. 7.400	THIN FLANGE .306	B3007710	B3011076	
FLANGE O.D. 7.409	THICK FLANGE .526	B3202240		



Liner Kits

01.01.1

4 5/8" BORE

SMALL V SERIES

ENGINE MODEL	STD	.010 OS	.020 OS	
V-378	B3277592	B3277782		
V-504	B3277592	B3277782		
V-555	B3277608		B3277783	
V8-210	B3277592	B3277782		

5 1/8" BORE

743 SERIES (NH220)

ENGINE MODEL	DESCRIPTION	STD		
743/NH220	2 VALVE HEAD	BBM-98226		
743/NH220	2 VALVE HEAD	BBM-98226		

5 1/2" BORE

855 SERIES

ENGINE MODEL	DESCRIPTION	STD	.020 OS	.020/.040
855		B3801826	B3801387	B3803219

5 1/2" BORE

MEDIUM V SERIES

ENGINE MODEL	STD			
V/VT 903	BAR-8069			

5 1/2" BORE

V -28 SERIES (1710)

ENGINE MODEL	STD	.020 OS	.020/.040	
VT/VTA 28 (1710)	B3801826	B3801387	B3803219	

6 1/4" BORE

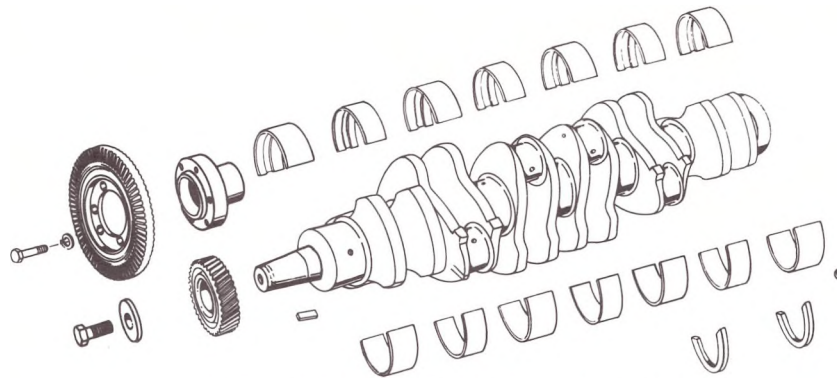
KT SERIES

ENGINE MODEL	STD	.020 OS	.040 OS	.095 OS
THICK FLANGE	B3007525	B3012612	B3801269	B3801268
THIN FLANGE	B3009549	B3028430	B3028431	B3028432
THICK FLANGE	B3028434	B3028430	B3028431	B3028432



Crankshaft Assembly

01.02.0



"Exploded View of Typical 855 Series Engine"

4 5/8" BORE

SMALL V SERIES

ENGINE MODEL	CRANKSHAFT	FRONT GEAR	FRONT SEAL	
VVT378	B0195240	B0177086	B3010457	
VVT504	B0194840	B0177086	B3010461	
VVT555	B3041263	B0177086	B3010461	
V8-210	B0194840	B0177086	B3010461	

5 1/8" BORE

743 SERIES (NH220)

ENGINE MODEL	CRANKSHAFT	FRONT GEAR	FRONT SEAL	
743/NH220	B3029341	B0190909	B3020183	

5 1/2" BORE

855 SERIES

ENGINE MODEL	DESCRIPTION	CRANKSHAFT	FRONT GEAR	FRONT SEAL
855	TAPERED NOSE	B3029340	B0142804	B3010457
855	BULLNOSE	B3608833	B3014614	B3006736

5 1/2" BORE

MEDIUM V SERIES

ENGINE MODEL	CRANKSHAFT	FRONT GEAR	FRONT SEAL	
VVT 903	B0214940	B0179464	B3020184	

5 1/2" BORE

V-28 SERIES (1710)

ENGINE MODEL	DESCRIPTION	CRANKSHAFT	FRONT GEAR	FRONT SEAL
VT/VTA 28 (1710)	LEFT HAND	B3052531		
VT/VTA 28 (1710)	RIGHT HAND	B3042800	B3059852	B3010457

6 1/4" BORE

KT SERIES

ENGINE MODEL	CRANKSHAFT	FRONT GEAR	FRONT SEAL	
KT-19	B3005357	B0207259	B3016792	
KT-38	B3176424	B3004262	B3016792	
KT-50	B3627642	B3004262	B3016792	



Main Bearings Set

01.02.1

4 5/8" SERIES

SMALL V SERIES

ENGINE MODEL	STD.	.010	.020	.030
V/VT-378	BBM-99830	BBM-99831	BBM-99832	BBM-99833
WVT-504	BBM-99820	BBM-99821	BBM-99822	BBM-99823
V/VT-555	BBM-99820	BBM-99821	BBM-99822	BBM-99823
V8-210	BBM-99820	BBM-99821	BBM-99822	BBM-99823

5 1/8" BORE

743 SERIES (NH220)

ENGINE MODEL	STD.	.010	.020	.030
743/IMH 220	B3801260	B3801261	B3801262	B3801263

5 1/2" BORE

855 SERIES

ENGINE MODEL	STD.	.010	.020	.030
855	B3801260	B3801261	B3801262	B3801263

5 1/2" BORE

MEDIUM V SERIES

ENGINE MODEL	STD.	.010	.020	.030
V/VT-903	BAR-3640	BAR-3641	BAR-3642	BAR-3643

5 1/2" BORES

V-28 SERIES (1710)

ENGINE MODEL	STD.	.010	.020	.030
VT/VTA 28(1710)				
PHASE 1 + 2	BBM-64490	BBM-64491	BBM-64492	BBM-64493
PHASE 3	BAR-4220	BAR-4221	BAR-4222	BAR-4223

6 1/4" BORES

KT SERIES

ENGINE MODEL	STD.	.010	.020	.030
KT-19	BAR-12270	BAR-12271	BAR-12272	BAR-12273
KT-38	BAR-12250	BAR-12251	BAR-12252	BAR-12253
KT-50	B3018210	B3018211	B3018212	B3018213



Rod, Bolt, Nut & Washer

01.04.0

4 5/8" BORE

SMALL V SERIES

ENGINE MODEL	BOLT	NUT	WASHER
V-378	B0551143	B0152838	B0209868
V-504	B0551143	B0152838	
V/VT 555	B0554944	B0209869	
V8-210	B0551143	B0152838	

5 1/8" BORE

743 SERIES (NH220)

ENGINE MODEL	BOLT	NUT	WASHER
743/NH-220	B009195-3	B0069936	B0200861

5 1/2" BORE

855 SERIES

ENGINE MODEL	BOLT	NUT	WASHER
SMALL CAM	B009295-3	B0069936	B0200861
BIG CAM	B0219153		

5 1/2" BORE

MEDIUM V SERIES

ENGINE MODEL	BOLT	NUT	WASHER
V/VT 903	B3071471	B0139438	B0139950

5 1/2" BORE

V-28 SERIES (1710)

ENGINE MODEL	BOLT	NUT	WASHER
VT/VTA 28 (1710)	B0146856	B0069936	B3025100

6-1/4" BORE

KT SERIES

ENGINE MODEL	BOLT	WASHER	
KT-19	B3013265	B0205126	
KT-38	B3013266	B0205126	
KT-50	B3013266	B0205126	



Main Cap Bolt & Washer

01.04.0

4 5/8" BORE

SMALL V SERIES

ENGINE MODEL	BOLT	WASHER
V-378	B0180676	B0553451
V-504	B0180676	B0553451
V/VT-555	B0180676	B0553451
V8-210	B0180676	B0553451

5 1/8" BORE

743 SERIES (NH220)

ENGINE MODEL	BOLT	
743/NH220	B0105953	

5 1/2" BORE

855 SERIES

ENGINE MODEL	BOLT	
SMALL CAM	B0105953	
BIG CAM	B0208346	

5 1/2" BORE

MEDIUM V SERIES

ENGINE MODEL	BOLT	WASHER
V/VT 903	B0177376	B0140218

5 1/2" BORE

V-28 SERIES (1710)

ENGINE MODEL	BOLT	
VA/TA 28 (1710)	B0181211 (6) B0181210 (8)	

6 1/4" BORE

KT SERIES

ENGINE MODEL	BOLT	WASHER
KT-19	B3801082	
KT-38	B3044578	B3025485
KT-50	B3044578	B3025485

Piston Pin, Retainers & Bushing

01.05.0



"Exploded View of Typical 855 Series Engine"

4 5/8" BORE

SMALL V SERIES

ENGINE MODEL	PIN	RETAINERS	BUSHING
V-378	B0151770	B0157978	B3277332
V-504	B0554785	B0016256-S	B0555421
V/VT 555	B0554785	B0016256-S	B0555421
V8-210	B0554785	B0016256-S	B0555421

5 1/8" BORE

743 SERIES (NH220)

ENGINE MODEL	PIN	RETAINERS	BUSHING
743/NH220	B0203070	B0175755	B0043067

5 1/2" BORE

855 SERIES

ENGINE MODEL	PIN	RETAINERS	BUSHING
855	B0191920	B0175755	B0187420

5 1/2" BORE

MEDIUM V SERIES

ENGINE MODEL	PIN	RETAINERS	BUSHING
V/VT 903 LIGHT 7.00 ID	B0215390	B0155267	B0189763
V/VT 903 HEAVY 1.000 ID	B0151770	B0155267	B0189763

5 1/2" BORE

V-28 SERIES (1710)

ENGINE MODEL	PIN	RETAINERS	BUSHING
VT/TA 28(1710)	B0191970	B0175755	B0187420

6 1/4" BORE

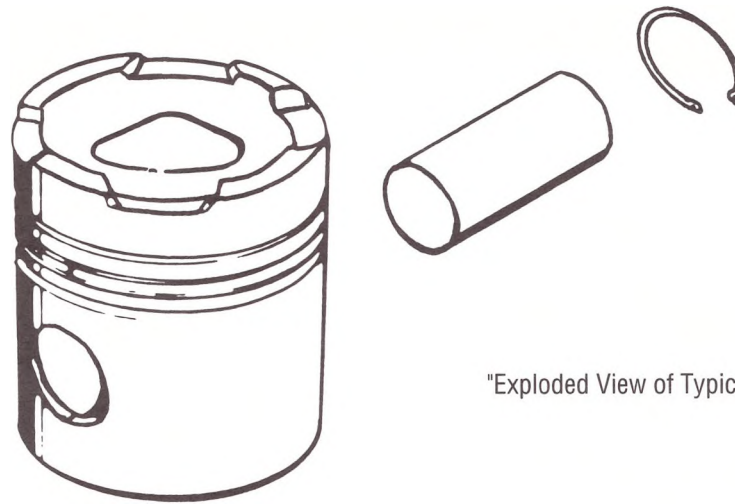
KT SERIES

ENGINE SERIES	PIN	RETAINERS	BUSHING
KT-19	B0205200	B0205269	B3043909
KT-38	B0205200	B0205269	B3043909
KT-50	B0205200	B0205269	B3043909



Piston Pin, Retainers & Bushing

01.05.0



"Exploded View of Typical 855 Series Engine"

4 5/8" BORE

SMALL V SERIES

ENGINE MODEL	PIN	RETAINERS	BUSHING
V-378	B0151770	B0157978	B3277332
V-504	B0554785	B0016256-S	B0555421
VVT 555	B0554785	B0016256-S	B0555421
V8-210	B0554785	B0016256-S	B0555421

5 1/8" BORE

743 SERIES (NH220)

ENGINE MODEL	PIN	RETAINERS	BUSHING
743/NH220	B0203070	B0175755	B0043067

5 1/2" BORE

855 SERIES

ENGINE MODEL	PIN	RETAINERS	BUSHING
855	B0191920	B0175755	B0187420

5 1/2" BORE

MEDIUM V SERIES

ENGINE MODEL	PIN	RETAINERS	BUSHING
VVT 903 LIGHT 7.00 ID	B0215390	B0155267	B0189763
VVT 903 HEAVY 1.000 ID	B0151770	B0155267	B0189763

5 1/2" BORE

V-28 SERIES (1710)

ENGINE MODEL	PIN	RETAINERS	BUSHING
VT/VTA 28(1710)	B0191970	B0175755	B0187420

6 1/4" BORE

KT SERIES

ENGINE SERIES	PIN	RETAINERS	BUSHING
KT-19	B0205200	B0205269	B3043909
KT-38	B0205200	B0205269	B3043909
KT-50	B0205200	B0205269	B3043909

Pistons & Cylinder Kits

01.05.1

SMALL V SERIES

ENGINE MODEL	COMP RATIO	PISTON	PISTON KIT	CYLINDER KIT
VVT-555 (SC)	17.0	B3275431	B3275949	B3277626
VT-504 (SC)	17.0	B0200800	BAR-60740	BAR-61504
VT-504 (BC)	16.0	B3022513	B3022513	B3278695
VT-504 (BC)	16.0	B3277336	B3020737	
VT-378 (SC)	17.0	B0200800	BAR-60740	BAR-61504
VT-378 (BC)	16.0	B3277336	B3020737	
V8-210	17.0	B0200800	BAR-60740	BAR-61504

743 SERIES (NH220)

ENGINE MODEL	PISTON KIT	CYLINDER KIT
743/NH220	BAR-7510	BAR-7383

855 SERIES

CPL	ENGINE MODEL	COMP RATIO	NOTES	PISTON	PISTON KIT	PREM CYL KIT	PREM + CYL KIT	.020/.040 Liner	OPTIONAL DUAL NI KIT
1	NT-855-335	14.5	B,D	B3051555	B3801770	B3801779	B3801768	B3803213	
3	NT-855-335	14.5	B,D	B3051555	B3801770	B3801779	B3801768	B3803213	
4	NT-855-335	14.5	B,D	B3051555	B3801770	B3801779	B3801768	B3803213	
5	NTF-365/290R	14.5	B,D	B3051555	B3801770	B3801779	B3801768	B3803213	
6	NT-855	14.5	B	B3051555	B3801770	B3801779	B3801768	B3803213	
7	NT-855	14.5	B	B3051555	B3801770	B3801779	B3801768	B3803213	
8	NTA-380	14.5	B,D	B3051555	B3801770	B3801779	B3801768	B3803213	B3801817
9	NT-855	14.5	B,D	B3051555	B3801770	B3801779	B3801768	B3803213	
10	NT-855	14.5	B,D	B3051555	B3801770	B3801779	B3801768	B3803213	B3801817
11	NTA-380	14.5	B,D	B3051555	B3801770	B3801779	B3801768	B3803213	B3801817
12	NT-855-380	14.5	B,D	B3051555	B3801770	B3801779	B3801768	B3803213	B3801817
13	NT-855-400	14.5	B,D	B3051555	B3801770	B3801779	B3801768	B3803213	B3801817
14	NHCT-270	14.5	G	B3017349	B3801058	B3801872	B3801873	B3803213	
16	NHCT-CT	14.5	G	B3017349	B3801058	B3801872	B3801873	B3803213	
17	NH-250	15.5		B3048650	B3801703	B3801795		B3803221	
18	NT-855-280	14.5	G	B3017349	B3801058	B3801872	B3801873	B3803213	
19	NT-280-B1	14.5	B,D	B3051555	B3801770	B3801779	B3801768	B3803213	
20	NT-855-335	14.5	B,D	B3051555	B3801770	B3801779	B3801768	B3803213	
21	NTC-350	14.5	B,D	B3051555	B3801770	B3801779	B3801768	B3803213	B3801817
22	NTA-370	14.5	G	B3051557	B3801393	B3801781	B3801782	B3803226	
23	NHTF-420	14.5		B3051557	B3801393	B3801781	B3801782	B3803226	
24	NHTF-295	14.5	G	B3017349	B3801058	B3801872	B3801873	B3803221	
25	NTF-365	14.5	B,D	B3051555	B3801770	B3801779	B3801768	B3803226	
26	NH-230	15.5	B,D,G	B3048650	B3801703	B3801795		B3803221	
69	NTC-335	14.5	B,D	B3051555	B3801770	B3801779	B3801768	B3803213	
70	NT-855-335	14.5	B,D	B3051555	B3801770	B3801779	B3801768	B3803228	
71	NT-855-310	14.5	B,D	B3051555	B3801770	B3801779	B3801768	B3803228	
75	NT-335-B1	14.5	B,D	B3051555	B3801770	B3801779	B3801768	B3803221	
76	NTA-855-R	14.5		B3051557	B3801393	B3801781	B3801782	B3803213	
77	NHTC-270	14.5	B	B3051555	B3801770	B3801779	B3801768	B3803213	
85	NT-855-M	14.5	B,D	B3051555	B3801770	B3801779	B3801768	B3803213	
101	NTC-290	14.5	B	B3051555	B3801770	B3801779	B3801768	B3803213	



Pistons & Cylinder Kits (Con 701.05.1

855 SERIES (Continued)

CPL	ENGINE MODEL	COMP RATIO	NOTES	PISTON	PISTON KIT	PREM CYL KIT	PREM + CYL KIT	.020/.040 Liner	OPTIONAL DUAL NI KIT
102	NT-280-IF	14.5		B3017349	B3801058	B3801872	B3801873	B3803226	
104	NT-855-310	14.5		B3017349	B3801058	B3801872	B3801873	B3803226	
107	NTA-855	14.5	G	B3051557	B3801393	B3801781	B3801782	B3803228	
108	NT-855-R	14.5	B,D	B3051555	B3801770	B3801779	B3801768	B3803213	
109	NT-855-C335	14.5	B,D	B3051555	B3801770	B3801779	B3801768	B3803213	
113	NTC-270	14.5	B	B3051555	B3801770	B3801779	B3801768	B3803213	
117	NHCT-270	14.5		B3017349	B3801058	B3801872	B3801873	B3803226	
120	NT-855-280	14.5	B,D	B3051555	B3801770	B3801779	B3801768	B3803213	
121	NH-230-T	15.5		B3042320	B3801535	B3801774	B3801775	B3803210	
123	NT-280-IF	14.5	B,D	B3051555	B3801770	B3801779	B3801768	B3803213	
132	NTC-335-E	14.5	B,D	B3051555	B3801770	B3801779	B3801768	B3803213	
135	NTA-400	14.5		B3051557	B3801393	B3801781	B3801782	B3803228	
144	NTA-855-C380	14.5	B,D	B3051555	B3801770	B3801779	B3801768	B3803213	B3801817
146	NTA-855-C380	14.5	B,D	B3051555	B3801770	B3801779	B3801768	B3803213	B3801817
147	NTC-350	14.5	B,D	B3051555	B3801770	B3801779	B3801768	B3803213	B3801817
152	NTA-855-C380	14.5	B,D	B3051555	B3801770	B3801779	B3801768	B3803213	B3801817
154	NTC-350	14.5	B,D	B3051555	B3801770	B3801779	B3801768	B3803213	B3801817
155	NTC-290-R	14.5	B,D,G	B3051555	B3801770	B3801779	B3801768	B3803213	
156	NTC-290-R	14.5	B	B3051555	B3801770	B3801779	B3801768	B3803213	
160	NTC-350	14.5	b,d,g,h	B3051555	B3801770	B3801779	B3801768	B3803213	B3801817
161	NT-855-GS/GC	14.5	B,D	B3051555	B3801770	B3801779	B3801768	B3803213	
162	NTA-400	14.5	G	B3051557	B3801393	B3801781	B3801782	B3803228	
163	NTA-370	14.5	G	B3051557	B3801393	B3801781	B3801782	B3803228	
164	N-855-250	15.5		B3048650	B3801703	B3801795		B3803221	
166	NT-855-C310	14.5	B,D	B3051555	B3801770	B3801779	B3801768	B3803213	B3801817
168	NT-855-R2	14.5	B,D	B3051555	B3801770	B3801779	B3801768	B3803213	B3801817
170	N-855	15.5		B3048650	B3801703	B3801795		B3803221	
172	NHC-250	15.5		B3048650	B3801703	B3801795		B3803221	
173	NT-855-280	14.5		B3017349	B3801058	B3801872	B3801873	B3803226	
174	NTC-290-F	14.5	B,D	B3051555	B3801770	B3801779	B3801768	B3803213	
175	PT-270	14.5	B	B3051555	B3801766	B3801779	B3801768	B3803213	
176	NTC-250	16		B3051553	B3801766	B3801764	B3801765	B3803211	
178	NTC-230	14.5		B3051553	B3801766	B3801764	B3801765	B3803213	
180	NT-855-280	14.5	B,D	B3051555	B3801770	B3801779	B3801768	B3803213	
181	PT-270	14.5	B	B3051555	B3801770	B3801779	B3801768	B3803213	
182	NTC-335	14.5	B,D	B3051555	B3801770	B3801779	B3801768	B3803213	
187	NTC-290	14.5	B,G	B3051555	B3801770	B3801779	B3801768	B3803213	
188	NTC-230	16		B3051553	B3801766	B3801764	B3801765	B3803211	
189	NTC-250	16	G	B3051553	B3801766	B3801764	B3801765	B3803211	
190	NTCC-335	14.5	B,D	B3051555	B3801770	B3801779	B3801768	B3803213	
196	NTC-350-Y	14.5	B,D	B3051555	B3801770	B3801779	B3801768	B3803213	B3801817
197	NTC-335	14.5	B,D	B3051555	B3801770	B3801779	B3801768	B3803213	
198	NTC-335	14.5	B,D	B3051555	B3801770	B3801779	B3801768	B3803213	B3801817
199	NTC-290	16		B3051553	B3801766	B3801764	B3801765	B3803211	
200	N-855-B	15.5		B3048650	B3801703	B3801795		B3803221	
201	NT-855	14.5	B,D	B3051555	B3801770	B3801779	B3801768	B3803213	
202	NTA-855-GS-GC	14.5		B3051557	B3801393	B3801781	B3801782	B3803228	
204	NTCC-350	14.5	B,D,G,H	B3051555	B3801770	B3801779	B3801768	B3803213	B3801817
205	NTA-400	14.5	G	B3051557	B3801393	B3801781	B3801782	B3803228	
207	PT-270	14.5	B	B3051555	B3801770	B3801779	B3801768	B3803213	
214	N-855-C250	15.5		B3048650	B3801703	B3801795		B3803221	
215	NTCE-290	14.5	B	B3051555	B3801770	B3801779	B3801768	B3803213	



Pistons & Cylinder Kits (Con't.) 01.05.1

855 SERIES (Continued)

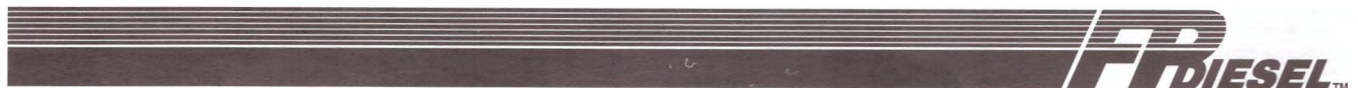
CPL	ENGINE MODEL	COMP RATIO	NOTES	PISTON	PISTON KIT	PREM CYL KIT	PREM + CYL KIT	.020/.040 Liner	OPTIONAL DUAL NI KIT
217	NTC-290	16	G	B3051553	B3801766	B3801764	B3801765	B3803211	
220	NTC-230	16	G	B3051553	B3801766	B3801764	B3801765	B3803211	
221	NTC-250-E	16		B3051553	B3801766	B3801764	B3801765	B3803241	
222	NTC-250	16	G	B3051553	B3801766	B3801764	B3801765	B3803211	
226	NTA-855-380	14.5	B,D	B3051555	B3801770	B3801779	B3801768	B3803213	B3801817
227	NTC-290	14.5	B	B3051555	B3801770	B3801779	B3801768	B3803213	
233	NTC-290	16	G	B3051553	B3801766	B3801764	B3801765	B3803211	
246	NTFE-295	14.5	B	B3051555	B3801770	B3801779	B3801768	B3803213	
248	NTC-350	14.5	B,D	B3051555	B3801770	B3801779	B3801768	B3803213	B3801817
249	NTCC-290	16	G	B3051553	B3801766	B3801764	B3801765	B3803211	
250	NTCC-350	15	C	B3051554	B3801876	B3801776	B3801777	B3803212	
254	NTC-350	15	C,D	B3051554	B3801876	B3801776	B3801777	B3803212	
255	N-855	15.5		B3048650	B3801703	B3801795		B3803221	
256	NT-855	14.5	B,D	B3051555	B3801770	B3801779	B3801768	B3803213	
258	N-855	15.5		B3048650	B3801703	B3801795		B3803221	
259	NTA-855-C420	14.5		B3051557	B3801393	B3801781	B3801782	B3803228	
260	NTA-855	14.5	B,D	B3051555	B3801770	B3801779	B3801768	B3803213	B3801817
266	NTC-350	15	C,D,G,J	B3051554	B3801876	B3801776	B3801777	B3803212	B3801824
267	NTC-400	14.5	C,D,G,J	B3051555	B3801770	B3801779	B3801768	B3803213	B3801817
270	NTCC-230	16	G	B3051553	B3801766	B3801764	B3801765	B3803211	
271	NT-855-C250	15.5		B3048650	B3801703	B3801795		B3803221	
272	NTA-855	14.5		B3051557	B3801393	B3801781	B3801782	B3803228	
276	NT-855-L3	14.5	B,D	B3051555	B3801770	B3801779	B3801768	B3803213	
277	NTCC-250	15	C	B3051554	B3801876	B3801776	B3801777	B3803212	
278	NTC-350	14.5	B,D,G,H	B3051555	B3801770	B3801779	B3801768	B3803213	B3801817
281	NTCC-400	14.5	C,D	B3051555	B3801770	B3801779	B3801768	B3803213	B3801817
288	NT-855-R4	14.5	B,D	B3051555	B3801770	B3801779	B3801768	B3803213	B3801817
294	NTCC-350	15	C,D,G,J	B3051554	B3801876	B3801776	B3801777	B3803212	B3801824
298	NTC-350	15	C,D,G,J	B3051554	B3801876	B3801776	B3801777	B3803212	B3801824
299	NTCE-365	14.5	B,D	B3051555	B3801770	B3801779	B3801768	B3803213	B3801817
300	NT-855-GS-GC	14.5	B,D	B3051555	B3801770	B3801779	B3801768	B3803213	
306	NTCC-290	15	C,D,G,J	B3051554	B3801876	B3801776	B3801777	B3803212	B3801824
307	NTC-350	14.5	B	B3051555	B3801770	B3801779	B3801768	B3803213	B3801817
308	NTCC-350	14.5	B,G,H	B3051555	B3801770	B3801779	B3801768	B3803213	B3801817
309	NTC-350	14.5	B	B3051555	B3801770	B3801779	B3801768	B3803213	B3801817
310	NTCC-400	14.5	B,G,H	B3051555	B3801770	B3801779	B3801768	B3803213	B3801817
312	N-855-M	15.5		B3048650	B3801703	B3801795		B3803221	
314	NTC-350-Y	14.5	B,D	B3051555	B3801770	B3801779	B3801768	B3803213	B3801817
315	NTC-350	15	C,D	B3051554	B3801876	B3801776	B3801777	B3803212	
316	NTA-855-P400	14.5		B3051557	B3801393	B3801781	B3801782	B3803228	
317	NTA-855-P360	14.5	B,D	B3051555	B3801770	B3801779	B3801768	B3803213	B3801817
318	NT-855-P335	14.5	B,D	B3051555	B3801770	B3801779	B3801768	B3803213	
319	NTA-855-GS-GC	14.5		B3051557	B3801393	B3801781	B3801782	B3803228	
320	NTE-290	15		B3051554	B3801876	B3801776	B3801777	B3803212	
322	NTC-290	16	G	B3051555	B3801766	3801764	B3801765	B3803211	
323	NTC-250	16	G	B3051553	B3801766	B3801764	B3801765	B3803211	
324	NTC-400	14.5	C,D,G,H	B3051555	B3801770	B3801779	B3801768	B3803213	B3801817
325	NT-855-M	14.5	B,D	B3051555	B3801770	B3801779	B3801768	B3803213	
326	NTA-855-M	14.5	B,D	B3051555	B3801770	B3801779	B3801768	B3803213	B3801817
327	NTC-350	14.5	C,D,G,H	B3051555	B3801770	B3801779	B3801768	B3803213	B3801817



Pistons & Cylinder Kits (Con't.) 01.05.1

855 SERIES (Continued)

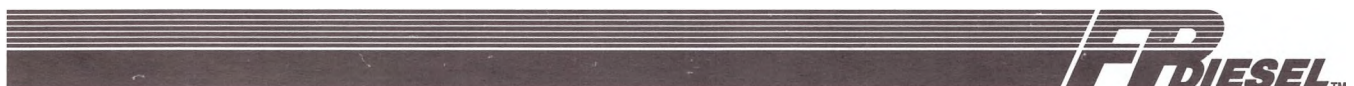
CPL	ENGINE MODEL	COMP RATIO	NOTES	PISTON	PISTON KIT	PREM CYL KIT	PREM + CYL KIT	.020/.040 Liner	OPTIONAL DUAL NI KIT
328	NTCC-350	14.5	C,D,G,H	B3051555	B3801770	B3801779	B3801768	B3803213	B3801817
329	NTC-350	14.5	C,D,G,H	B3051555	B3801770	B3801779	B3801768	B3803213	B3801817
330	NTC-475	14	G	B3031227	B3801424		B3801783	B3803227	
331	NTA-380	14.5	B,D	B3051555	B3801770	B3801779	B3801768	B3803213	
332	NTCC-290	14.5	C,D,G,H	B3051555	B3801770	B3801779	B3801768	B3803213	B3801817
338	NTC-290	15	C	B3051554	B3801876	B3801776	B3801777	B3803212	
349	NTC-400	14.5	B	B3051555	B3801770	B3801779	B3801768	B3803213	B3801817
353	NTC-290	15	C,G	B3051554	B3801876	B3801776	B3801777	B3803212	
354	NTC-250	15	C,G	B3051554	B3801876	B3801776	B3801777	B3803212	
356	N-855	15	C	B3051554	B3801876	B3801776	B3801777	B3803212	
357	N-855	15	C	B3051554	B3801876	B3801776	B3801777	B3803212	
358	NT-855-C	15	C	B3051554	B3801876	B3801776	B3801777	B3803212	
359	NT-855	14.5	B	B3051555	B3801770	B3801779	B3801768	B3803213	
360	NT-855	14.5	B	B3051555	B3801770	B3801779	B3801768	B3803213	
362	NT-855-P	14.5	B	B3051555	B3801770	B3801779	B3801768	B3803213	
363	NTA-360	14.5	B	B3051555	B3801770	B3801779	B3801768	B3803213	B3801817
364	NTA-855-P	14.5	B	B3051555	B3801770	B3801779	B3801768	B3803213	B3801817
365	NTA-855	14.5	C,D	B3051555	B3801770	B3801779	B3801768	B3803213	
366	NTA-855	14.5	C,D	B3051555	B3801770	B3801779	B3801768	B3803213	B3801817
369	NTC-350	14.5	B,G,H	B3051555	B3801770	B3801779	B3801768	B3803213	B3801817
370	NTCE-290	14.5	B	B3051555	B3801770	B3801779	B3801768	B3803213	
371	NTCE-250	16		B3051553	B3801766	B3801764	B3801765	B3803211	
372	NTC-230	16		B3051553	B3801766	B3801764	B3801765	B3803211	
373	NTC-250	16		B3051553	B3801766	B3801764	B3801765	B3803211	
374	NTC-290	16		B3051553	B3801766	B3801764	B3801765	B3803211	
375	NTC-350	14.5	B	B3051555	B3801770	B3801779	B3801768	B3803213	B3801817
376	NTC-400	14.5	C,D	B3051555	B3801770	B3801779	B3801768	B3803213	B3801817
377	NTE-290	15	C	B3051554	B3801876	B3801776	B3801777	B3803212	
380	NTCC-290	15	C	B3051554	B3801876	B3801776	B3801777	B3803212	
381	NTCC-350	15	C	B3051554	B3801876	B3801776	B3801777	B3803212	
382	NTCC-400	14.5	B	B3051555	B3801770	B3801779	B3801768	B3803213	B3801817
384	NTC-350	14.5	B,D	B3051555	B3801770	B3801779	B3801768	B3803213	B3801817
391	NTE-370	14.5	B	B3051555	B3801770	B3801779	B3801768	B3803213	B3801817
392	NTE-350	14.5	B	B3051555	B3801770	B3801779	B3801768	B3803213	B3801817
393	NTC-400	14.5	B,H	B3051555	B3801770	B3801779	B3801768	B3803213	B3801817
394	NT-855-M	14.5		B3051555	B3801770	B3801779	B3801768	B3803213	
395	NTA-855-M	14.5	B,D	B3051555	B3801770	B3801779	B3801768	B3803213	B3801817
396	NTA-855-GS-GC	14.5		B3051557	B3801393	B3801781	B3801782	B3803228	
397	NTA-855-GS-GC	14.5		B3051557	B3801393	B3801781	B3801782	B3803228	
402	NTC-290	15	C	B3051554	B3801876	B3801776	B3801777	B3803212	
407	NTC-230	15	C,I	B3017348	B3801057	B3801874	B3801875	B3803223	
408	NTCC-230	15	C,I	B3017348	B3801057	B3801874	B3801875	B3803223	
413	N-855	15.5		B3048650	B3801703	B3801795		B3803221	
414	NTC-300	15	C,G,J	B3051554	B3801876	B3801776	B3801777	B3803212	
416	NTA-855-400	14.5		B3051557	B3801393	B3801781	B3801782	B3803228	
419	NTE-350	14.5	B	B3051555	B3801770	B3801779	B3801768	B3803213	B3801817
431	NTE-350	14.5	B	B3051555	B3801770	B3801779	B3801768	B3803213	B3801817
432	NTC-290	15	C	B3051554	B3801876	B3801776	B3801777	B3803212	
433	NTC-300	15	C,G,J	B3051554	B3801876	B3801776	B3801777	B3803212	
435	NTE-370	14.5	B	B3051555	B3801770	B3801779	B3801768	B3803213	B3801817



Pistons & Cylinder Kits (Con 701.05.1

855 SERIES (Continued)

CPL	ENGINE MODEL	COMP RATIO	NOTES	PISTON	PISTON KIT	PREM CYL KIT	PREM + CYL KIT	.020/.040 Liner	OPTIONAL DUAL NI KIT
436	NTC-350	14.5	B	B3051555	B3801770	B3801779	B3801768	B3803213	
437	NT-250	15.5		B3048650	B3801703	B3801795		B3803221	
448	NTCC-230	15.5	G	B3048650	B3801703	B3801795		B3803221	
449	NTC-400	14	J	B3051556	B3801773	B3801780	B3801771	B3803214	B3801817
450	NTC-350	14.5	B,G,H	B3051555	B3801770	B3801779	B3801768	B3803213	B3801817
454	NTCC-400	14.5	B,G,H	B3051555	B3801770	B3801779	B3801768	B3803213	B3801817
339	NTC-350	14.5	B	B3051555	B3801770	B3801779	B3801768	B3803213	B3801817
344	NTC-290	15.5	G	B3051553	B3801766	B3801764	B3801765	B3803211	
345	NTC-250	15.5	G	B3051553	B3801766	B3801764	B3801765	B3803211	
346	NT-855	14.5	B,D	B3051555	B3801770	B3801779	B3801768	B3803213	
347	NTC-350	14.5	B	B3051555	B3801770	B3801779	B3801768	B3803213	B3801817
348	NTC-370	14.5	B	B3051555	B3801770	B3801779	B3801768	B3803213	B3801817
455	NTCC-350	14.5	B,G,H	B3051555	B3801770	B3801779	B3801768	B3803213	B3801817
456	NTCC-300	15	C,G,J	B3051554	B3801876	B3801776	B3801777	B3803212	B3801824
457	NTCC-400	14.5	B,G,H	B3051555	B3801770	B3801779	B3801768	B3803213	B3801817
458	NTCC-350	14.5	b,g,h	B3051555	B3801770	B3801779	B3801768	B3803213	B3801817
459	NTCC-300	14.5	B,G	B3051554	B3801876	B3801776	B3801768	B3803212	
460	NT-855-GS-GC	14.5	B,D	B3051555	B3801770	B3801779	B3801768	B3803213	
461	NT-855-GS-GC	14.5	B,D	B3051555	B3801770	B3801779	B3801768	B3803213	
462	NTA-360	14.5	B	B3051555	B3801770	B3801779	B3801768	B3803213	B3801817
463	NT-855	14.5	B	B3051555	B3801770	B3801779	B3801768	B3803213	
469	NTA-855-P	14.5	B	B3051555	B3801770	B3801779	B3801768	B3803213	B3801817
470	NT-855	14.5	B	B3051555	B3801770	B3801779	B3801768	B3803213	
471	NTC-300	15.5	C,G,J,L	B3042320	B3801535	B3801774	B3801775	B3803210	B3801822
472	NTC-250	15	C	B3051554	B3801876	B3801776	B3801777	B3803212	
473	NTC-290	15	C	B3051554	B3801876	B3801776	B3801777	B3803212	
479	NTE-290	15	C	B3051554	B3801876	B3801776	B3801777	B3803212	
481	NTC-400	14		B3051556	B3801773	B3801780	B3801771	B3803214	
482	NTC-350	14.5		B3051556	B3801773	B3801779	B3801768	B3803214	
483	NTC-350	15	B	B3051555	B3801770	B3801776	B3801777	B3803213	B3801817
485	NTC-300	14.5	C	B3051554	B3801876	B3801874	B3801875	B3803212	
488	NTC-230	15	C	B3017348	B3801057	B3801776	B3801777	B3803223	
491	NTC-270	15	C,G	B3051554	B3801876	B3801776	B3801777	B3803212	
492	NTC-270	15	C	B3051554	B3801876	B3801776	B3801777	B3803212	
494	NHHTCC-290	15	C,G,J	B3051554	B3801876	B3801776	B3801777	B3803212	B3801824
495	NHHTCC-350	14.5	B	B3051555	B3801770	B3801779	B3801768	B3803213	B3801817
497	NTC-240	15	C	B3017348	B3801057	B3801874	B3801875	B3803223	
498	NTC-240	15.5	G	B3048650	B3801703	B3801795		B3803221	
499	NT-855	15	C	B3051554	B3801876	B3801776	B3801777	B3803212	
500	NTE-370	14	L	B3051556	B3801773	B3801780	B3801771	B3803214	
506	FLEET-270	15.5	A,G,J,L	B3042320	B3801535	B3801774	B3801775	B3803210	
509	NTC-350	14.5	B	B3051555	B3801770	B3801779	B3801768	B3803213	
510	NTC-400	14	L	B3051556	B3801773	B3801780	B3801771	B3803214	
511	NT-855-C	14.5	B,D	B3051555	B3801770	B3801779	B3801768	B3803213	B3801817
516	NTC-350	14.5	B	B3051555	B3801770	B3801779	B3801768	B3803213	B3801817
517	NTA-855-C	15	C	B3051554	B3801876	B3801776	B3801777	B3803212	
518	NTC-475	14		B3031227	B3801424		B3801783	B3803227	
523	NTTA-855	14		B3031227	B3801424		B3801783	B3803227	
529	NTC-300	15.5	F,J,L	B3042320	B3801535	B3801774	B3801775	B3803210	B3801822
530	NTC-350	14.5	E,G,H	B3051555	B3801770	B3801779	B3801768	B3803213	B3801817
531	NTC-400	14	E,J,L	B3051556	B3801773	B3801780	B3801771	B3803214	B3801823



Pistons & Cylinder Kits (Con't.) 01.05.1

855 SERIES (Continued)

CPL	ENGINE MODEL	COMP RATIO	NOTES	PISTON	PISTON KIT	PREM CYL KIT	PREM + CYL KIT	.020/.040 Liner	OPTIONAL DUAL N! KIT
536	NTC-300	15	C	B3051554	B3801876	B3801776	B3801777	B3803212	
537	N-855	15.5		B3048650	B3801703	B3801795		B3803221	
538	NT-855-C	15	c	B3051554	B3801876	B3801776	B3801777	B3803212	
539	NT-855	14.5	B	B3051555	B3801770	B3801779	B3801768	B3803213	
540	NT-855-G	14.5	B,D	B3051555	B3801770	B3801779	B3801768	B3803213	
541	NTA-855-P	14.5	C,D	B3051555	B3801770	B3801779	B3801768	B3803213	B3801817
542	NT-855-G	14.5		B3051557	B3801393	B3801781	B3801782	B3803228	
543	NTC-350	14.5	B	B3051555	B3801770	B3801779	B3801768	B3803213	B3801817
544	NH-230	15.5		B3048650	B3801703	B3801795		B3803221	
545	NTA-855-P	14.5	C,D	B3051555	B3801770	B3801779	B3801768	B3803213	B3801817
547	PT-270	15	C	B3017348	B3801057	B3801874	B3801875	B3803223	
551	NTA-855-F	14.5	C,D	B3051555	B3801770	B3801779	B3801768	B3803213	B3801817
552	NT-855-F	14.5	B	B3051555	B3801770	B3801779	B3801768	B3803213	
553	NTA-855	14.5		B3051555	B3801770	B3801779	B3801768	B3803213	B3801817
554	NTA-855	14		B3051556	B3801773	B3801780	B3801771	B3803214	
558	NTA-855	15.5		B3048650	B3801703	B3801795		B3803221	
566	NTCC-240	14.5		B3051555	B3801770	B3801779	B3801768	B3803213	
567	N-855-P	15	C	B3051554	B3801876	B3801776	B3801777	B3803212	
572	NTC-350	14.5	B	B3051555	B3801770	B3801779	B3801768	B3803213	B3801817
573	NTA-855-GS-GC	15	C	B3051554	B3801876	B3801776	B3801777	B3803212	
574	NTA-855-GS-GC	15	C	B3051554	B3801876	B3801776	B3801777	B3803212	
575	NTA-855-R	14		B3051556	B3801773	B3801780	B3801771	B3803214	
578	NTE-290	15	C	B3051554	B3801876	B3801776	B3801777	B3803212	
579	NTC-270	15.5	F	B3042320	B3801535	B3801774	B3801775	B3803210	
581	FLEET-270	15.5	F,J,L	B3042320	B3801535	B3801774	B3801775	B3803210	B3801822
582	NT-855-GS-GC	15	C	B3051554	B3801876	B3801776	B3801777	B3803212	
583	NT-855-GS-GC	15	C	B3051554	B3801876	B3801776	B3801777	B3803212	
585	NTC-300	15.5	F	B3042320	B3801535	B3801774	B3801775	B3803210	B3801822
586	NTC-475	14		B3031227	B3801424			B3803227	
588	NTC-400	14	E	B3051556	B3801773	B3801780	B3801771	B3803214	
606	FLEET-300	14.5	E,G,H	B3051555	B3801770	B3801779	B3801768	B3803213	B3801817
609	NT-855	15	C	B3051554	B3801876	B3801776	B3801777	B3803212	
611	NTC-350	14.5	E	B3051555	B3801770	B3801779	B3801768	B3803213	B3801817
612	NTC-270	15.5	F	B3042320	B3801535	B3801774	B3801775	B3803210	
614	NTCC-400	15.4	K	B3050366	B3801818			B3803218	B3801822
615	NTCC-350	15.4	K	B3050366	B3801818			B3803218	B3801822
616	NTCC-300	17.2		B3034185	B3801457			B3803220	
617	NTCC-240	17.2		B3034185	B3801457			B3803220	
625	NTC-400	14	E,J,L	B3051556	B3801773	B3801780	B3801771	B3803214	B3801823
632	NTC-350	14.5	E,H	B3051555	B3801770	B3801779	B3801768	B3803213	B3801817
633	NTC-300	15.5	F,J,L	B3042320	B3801535	B3801774	B3801775	B3803210	B3801822
634	FLEET-300	14.5	E,H	B3051555	B3801770	B3801779	B3801768	B3803213	B3801817
635	NTC-475	14		B3031227	B3801424			B3803227	
636	NTC-300	15.5	C	B3042320	B3801535	B3801774	B3801775	B3803210	B3801822
637	NTC-350	14.5	B	B3051555	B3801770	B3801779	B3801768	B3803213	B3801817
642	NTC-400	14	B,G,J	B3028685	B3801233			B3803209	B3801746
647	NTC-320			B3028706	B3801229				
650	NTA-855	14.5	B	B3051555	B3801770	B3801779	B3801768	B3803213	B3801817
651	NTE-400	14	B	B3028685	B3801233			B3803209	B3801746
653	NTTA-855	14		B3031227	B3801424			B3803227	
654	NTTA-855-A	14		B3031227	B3801424			B3803227	



Pistons & Cylinder Kits (Con't.) 01.05.1

855 SERIES (Continued)

CPL	ENGINE MODEL	COMP RATIO	NOTES	PISTON	PISTON KIT	PREM CYL KIT	PREM + CYL KIT	.020/.040 Liner	OPTIONAL DUAL NI KIT
657	NTA-855-A	14		B3051556	B3801773	B3801780	B3801771	B3803214	
658	NTTA-855-F	14		B3031227	B3801424			B3803227	
659	NTE-350-2	14	B	B3028685	B3801233			B3803209	B3801746
669	NTC-350	14.5	B	B3051555	B3801770	B3801779	B3801768	B3803213	B3801817
670	NT-855-R5	15	C	B3051554	B3801876	B3801776	B3801777	B3803212	
673	FLEET-300	15		B3042319	B3801660			B3803224	
674	NTC-300	15.5	J,L	B3042320	B3801535	B3801774	B3801775	B3803210	B3801822
675	NTC-350	14.5		B3042318	B3801533			B3803225	
676	NTC-400	14	B,J	B3028685	B3801233			B3803209	B3801746
677	NHHTCC-300	15.4	K	B3050366	B3801818			B3803218	B3801822
695	NTC-400	14	E	B3051556	B3801773	B3801780	B3801771	B3803214	
699	NT-855-G3	15	C	B3051554	B3801876	B3801776	B3801777	B3803212	
700	NTA-855-M	14.5		B3051555	B3801770	B3801779	B3801768	B3803213	
701	NTA-855-M	14.5		B3051555	B3801770	B3801779	B3801768	B3803213	
702	NTTA-855-G	14		B3031227	B3801424			B3803227	
706	NTA-855-C	14.5		B3051555	B3801770	B3801779	B3801768	B3803213	
709	NHC-250	15.5		B3048650	B3801703	B3801795		B3803221	
718	FLEET 300	14.5	K	B3045948	B3801534			B3803216	B3801817
719	NTA-855	15		B3051554	B3801876	B3801776	B3801777	B3803212	
731	NT-855-M	14.5		B3051555	B3801770	B3801779	B3801768	B3803213	
732	NT-855-C	15	C	B3051554	B3801876	B3801776	B3801777	B3803212	
733	NT-855-G3	15	C	B3051554	B3801876	B3801776	B3801777	B3803212	
743	NTC-300	15.5	F	B3042320	B3801535	B3801774	B3801775	B3803210	B3801822
744	NTC-350	14.5		B3051555	B3801770	B3801779	B3801768	B3803213	
745	NTC-400	14	E	B3051556	B3801773	B3801780	B3801771	B3803214	
749	NTC-315	15		B3042319	B3801660		B3801798	B3803224	
757	NTA-855	14		B3051556	B3801773	B3801780	B3801771	B3803214	
769	NTC-350	14.5		B3045948	B3801534		B3801817	B3803216	B3801817
794	NTCC-315	15.4		B3050366	B3801818		B3801822	B3803218	B3801822
795	NTCC-350	15.4		B3050366	B3801818		B3801822	B3803218	B3801822
796	NTC-315	15		B3048809	B3801820		B3801824	B3803215	
797	NTC-350	14.5	K	B3045948	B3801534		B3801817	B3803216	B3801817
798	NTC-400	14		B3048808	B3801819		B3801823	B3803217	
806	NTCC-365/400/444	14.5		B3050481	B3801745		B3801747	B3803233	
808	NTA-855	14		B3051556	B3801773	B3801780	B3801771	B3803214	
811	NTC-300	15.5		B3050366	B3801818		B3801822	B3803218	B3801822
812	NTC-315	15		B3048809	B3801820		B3801824	B3803215	
813	NTC-350	14.5		B3045948	B3801534		B3801817	B3803216	B3801817
814	NTC-400	14		B3050480	B3801744		B3801746	B3803233	B3801746
821	NTC-444	14	K	B3050480	B3801744		B3801746	B3803233	B3801746
827	NTC-400	15.5		B3052794	B3801954		B3801956		
832	NTC-300	15.5	K	B3050366	B3801818		B3801822	B3803218	B3801822
833	NTC-365-400	14		B3050480	B3801744		B3801746	B3803233	B3801746
838	NTC315	17		B3053526	B3801953		B3801955		
840	NTC-350	17		B3053526	B3801953		B3801955		
849	NT-855-G	14		B3051556	B3801773	B3801780	B3801771	B3803214	
880	NTA-855-M	14		B3051556	B3801773	B3801780	B3801771	B3803214	
891	NTC-400	14		B3048808	B3801819		B3801923	B3803217	
903	NTC-444	14		B3050480	B3801744		B3801746	B3803233	B3801746



Pistons & Cylinder Kits (Con't.)

01.05.1

855 SERIES (Continued)

CPL	ENGINE MODEL	COMP RATIO	NOTES	PISTON	PISTON KIT	PREM CYL KIT	PREM + CYL KIT	.020/.040 Liner	OPTIONAL DUAL NI KIT
904	NTC-365/400	14		B3050480	B3801744		B3801746	B3803233	B3801746
905	NTC-300-320-350	14.5	K	B3045948	B3801534		B3801817	B3803216	B3801817
907	NTC-300	15.5		B3050366	B3801818		B3801822	B3803218	B3801822
908	NTA-855-450	14		B3048808	B3801819		B3801823	B3803217	
910	NTC-444	15		B3058566	B3803037		B3803038		
911	NT-315-E			B3052794	B3801954		B3801956		
972	NT-855	15	C	B3051554	B3801876	B3801776	B3801777	B3803212	
974	NTA-855	14.5		B3051555	B3801770	B3801779	B3801768	B3803213	B3801817
989	NTA-855-G	14		B3031227	B3801424		B3801783	B3803227	
990	NTA-855	14		B3031227	B3801424		B3801783	B3803227	
991	NTA-855	14		B3031227	B3801424		B3801783	B3803227	
992	NT-350-E			B3052794	B3801954		B3801956		
1171	NTA-855-370	14		B3051556	B3801773	B3801780	B3801771	B3803214	
1183	NTA-855G	14		B3051556	B3801773	B3801780	B3801771	B3803214	
1185	NTC-400	15.5		B3052794	B3801954		B3801956		
1187	FLEET-285	16.5		B3053526	B3801953		B3801955		
1193	NTA-855	14		B3048808	B3801819		B3801823	B3803217	
1194	NTA-855	14		B3051556	B3801773	B3801780	B3801771	B3803214	
1197	NTTA-855	14		B3051556	B3801773	B3801780	B3801771	B3803214	
1204	NTA-855	14.5		B3051555	B3801770	B3801779	B3801768	B3803213	B3801817
1205	NT-855	15		B3051554	B3801876	B3801776	B3801777	B3803212	
1210	NTC-444	15		B3058566	B3803037		B3803038		
1211	NTC-400	15.5		B3052794	B3801954		B3801956		

- A. Non Turbo or Turbocharged non-piston cooled engines must use piston B3048650. Turbo charged piston cooled engines must use piston B3042320.
- B. Non-Piston cooled engines must use B3017349 pistons.
- C. Non-Piston cooled engines must use B3017348 pistons.
- D. This piston must be used in engine sets to maintain dynamic engine balance.
- E. Engines with high-lift cams B3036697 and B3028260 require piston B3028685.
- F. Engines with high-lift cams require piston B3028706.
- G. If current piston is used in this engine CPL number, Stamp "FF-106" on the engine dataplate.
- FI. If the dual ni-resist cylinder kit is used in this engine CPL number, Stamp "FF-105" on the engine dataplate.
- I. If current production piston is used in this engine CPL number, Stamp "FF-77" on the engine dataplate.
- J. If dual ni cylinder kit is used in this engine CPL number, Stamp "FF-118" on the engine dataplate.
- K. Current production piston is dual ni-resist.
- L. Optional dual ni-resist piston must be used in engine sets when replacing the original piston.



Pistons & Cylinder Kits (Con't.) 01.05.1

MEDIUM V SERIES

ENGINE MODEL	COMP RATIO	CYLINDER KIT	PISTON KIT
VT-300	15.5	BAR-11909	B3019287
VT300 FORMULA	15.5	BAR-11909	B3019287
VT-350	15.5	BAR-11909	B3019287
VT-400	15.5	BAR-11909	B3019287
VTB-903	16.5	B3022475	B3020083
VTBC-903	16.5	B3022475	B3020083
V-903-C265	15.5	BAR-11909	B3019287
V-903-C295	15.5	BAR-11909	B3019287
VT-903-C320	15.5	BAR-11909	B3019287
VT-903-C350	15.5	BAR-11909	B3019287
VT-903-C430	15.5	BAR-11909	B3019287

V-28 SERIES (1710)

CPL	COMP RATIO	ENGINE MODEL	PISTON	PISTON KIT	CYL KIT
336	14.0	VTA28	B3031214	B3801434	B3801835
403	14.4	VT28	B3003175	BAR-45653	B3801833
405	13.0	VTA28	B3003176	BAR-5720	B3801829
406	13.0	VTA28	B3003176	BAR-5720	B3801829
589	13.1	VTA28	B3031213	B3801267	B3801834
679	14.5	VTA28	B3040097	B3801666	B3801836
680	14.5	VTA28	B3040097	B3801666	B3801836
740	14.5	VTA28	B3040097	B3801666	B3801836
759	14.0	VTA28	B3803002	B3803002	B3803003
944	14.0	VTA28	B3031214	B3801434	B3801835
945	14.0	VTA28	B3031214	B3801434	B3801835
1176	13.1	VTA28	B3031213	B3801267	B3801834
1195	14.5	VTA28	B3042319	B3801666	B3801836



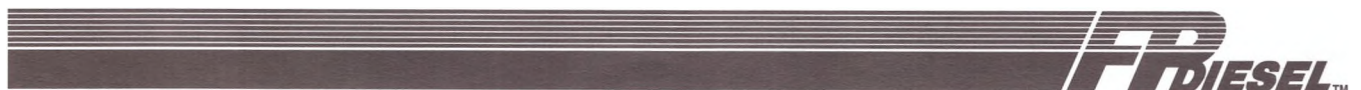
Pistons & Cylinder Kits (Con't.) 01.05.1

KT-19

CPL	ENGINE MODEL	COMP RATIO	PISTON	PISTON KIT
219	KT19-M	15.5	B3070707	B3803315
292	KTA19-G-GS-GC	14.5	B3004730	BAR-12313
293	KTA19-A-C-P	15.5	B3070707	B3803315
379	KTA19-525	15.5	B3070707	B3803315
444	KT19-C-P	15.5	B3070707	B3803315
445	KT19-C	15.5	B3070707	B3803315
447	KTA19-C-P	15.5	B3070707	B3803315
520	KTA19-G-GS-GC	14.5	B3004730	BAR-12313
584	KT19-M	15.5	B3070707	B3803315
720	KTA19-M	13.8	B3070708	B3803316
724	KTA19-M	15.5	B3070707	B3803315
739	KTTA19-G-GS-GC	14.5	B3070706	B3803314
801	KTA19-600	14.5	B3070706	B3803314
841	KTTA19-L-P	13.8	B3070708	B3803316
860	KTTA19-P	13.8	B3070708	B3803316
885	KTA19-G-GS-GC	14.5	B3070706	B3803314
886	KTA19-G-GS-GC	14.5	B3070706	B3803314
888	KTA19-G2	14.5	B3070706	B3803314
951	KTTA19-Q	13.9	B3070703	B3803312
969	KTA19-M	15.5	B3070707	B3803315
1171	KTTA19-G-GS-GC	13.9	B3070703	B3803312
1253	KTTA19-C-P	13.9	B3070703	B3803312
1318	KT19-M	15.5	B3070707	B3803315
1319	KTA19M-2	13.9	B3070703	B3803312
1455	KTA19-G3	13.9	B3070703	B3803312

KT-38

CPL	ENGINE MODEL	COMP RATIO	PISTON	PISTON KIT
809	KT38-C(925)	15.5	B3070707	B3803315
844	KTA38-C(1050)	13.8	B3070708	B3803316
851	KTA38-G-GS	14.5	B3070706	B3803314
852	KTA38-G-GC	14.5	B3070706	B3803314
859	KTA38-C1200	13.8	B3070708	B3803316
864	KTA38-G-GS	14.5	B3004730	BAR-12313
865	KTA38-M	15.5	B3070707	B3803315
866	KTA38-G-GS	14.5	B3004730	BAR-12313
869	KTA38-C-1050 C-L1200	14.5	B3070706	B3803314
869	KTA38-P1050-1200	14.5	B3070706	B3803314
872	KTTA38-C1350	13.5	B3070705	B3803313
876	KTTA38-G-GS	14.5	B3070706	B3803314
879	KTA38-C-L900	15.5	B3070707	B3803315
889	KTA38-G	14.5	B3070706	B3803314
901	KT38-C900-L900	15.5	B3070707	B3803315
901	KT38-C900	15.5	B3070707	B3803315
975	KT38-M	15.5	B3070707	B3803315
976	KTA38-M	15.5	B3070707	B3803315
1251	KTA38-G3	13.9	B3070703	B3803312
1299	KTA38-G1-G2	14.5	B3004730	BAR-12313

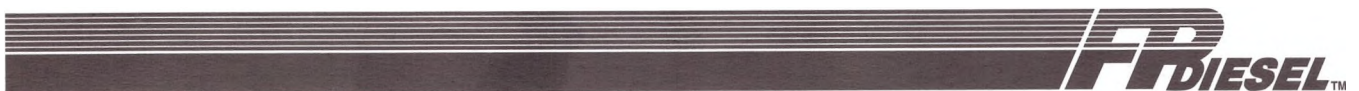


Pistons & Cylinder Kits (Con't.)

01.05.1

KT-50

CPL	ENGINE MODEL	COMP RATIO	PISTON	PISTON KIT
816	KTTA50-C1800	13.8	B3070708	B3803316
846	KTA50-G-GC	13.5	B3070705	B3803313
853	KTA50-G-GC	14.5	B3070706	B3803314
861	KTA50-M	15.5	B3070707	B3803315
862	KTA50-G-GS	14.5	B3004730	BAR-12313
870	KTA50-C-L1350-1600	14.5	B3070706	B3803314
874	KTTA-G/GS	14.5	B3070706	B3803314
878	KTA50-C1600	13.8	B3070708	B3803316
968	KTTA50-C2000	13.9	B3070703	B3803312
977	KTA50-M	15.5	B3070707	B3803315
1219	KTA50-G-GS	13.9	B3070703	B3803312
1254	KTTA50-G/GS/GC	13.9	B3070703	B3803312



Piston Ring Sets

01.05.2

4 5/8" BORE

SMALL V SERIES

ENGINE MODEL	PART NUMBER	
V-378	B3278723	
V-504	B3278723	
V-555	B3278723	
V8-210	B3278723	

5 1/8" BORE

743 SERIES (NH220)

ENGINE MODEL	PART NUMBER	DESCRIPTION
743/NH-220	BAR-4980	Use with Chrome Liners
743/NH-220	BAR-6720	3-Ring Piston Design
743/NH-220	BAR-12098	4-Ring Piston Design

5 1/2" BORE

855 SERIES

ENGINE MODEL	PART NUMBER	DESCRIPTION
855	B3801056	Premium Ring Set
855	B3801755	Premium Plus Ring Set
855	B3803471	Premium Plus with "1" Oil Ring

5 1/2" BORE

MEDIUM V SERIES

ENGINE MODEL	PART NUMBER	
V/VT-903	BAR-11930	

5 1/2" BORE

V-28 SERIES (1710)

ENGINE MODEL	PART NUMBER	DESCRIPTION
VT/VTA 28 (1710)	B3801044	5 Ring Piston Design
VT/VTA 28(1710)	B3801755	Premium Plus Ring Set-4 Ring Design
VT/VTA 28 (1710)	B3801056	4-Ring Design

6 1/4" BORE

KT SERIES

ENGINE MODEL	PART NUMBER	
KT-19	B3803472	
KT-38	B3803472	
KT-50	B3803472	



Rear Crankshaft Seal

01.06.0

4 5/8" BORE

SMALL V SERIES

ENGINE MODEL	PART NUMBER	
	RH	LH
V-378	B3010459	B3010461
V-504	B3010459	B3010461
V-555	B3010459	B3010461
V8-210	B3010459	B3010461

5 1/8" BORE

743 SERIES (NH22C)

ENGINE MODEL	PART NUMBER	
743-NH220	B3006737	

5 1/2" BORE

855 SERIES

ENGINE MODEL	PART NUMBER	
855	B3006737	

5 1/2" BORE

MEDIUM V SERIES

ENGINE MODEL	PART NUMBER	
VVT 903	B0218539	

5 1/2" BORE

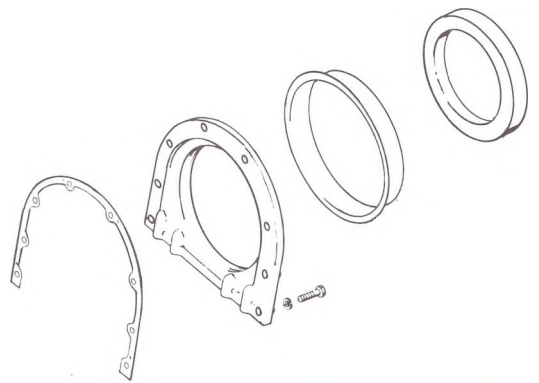
V-28 SERIES (1710)

ENGINE MODEL	PART NUMBER	DESCRIPTION
VT/VTA 28 (1710)	B3005887	PHASE 1 + 2
VT/VTA 28 (1710)	B3016793	PHASE 3

6 1/4" BORE

KT SERIES

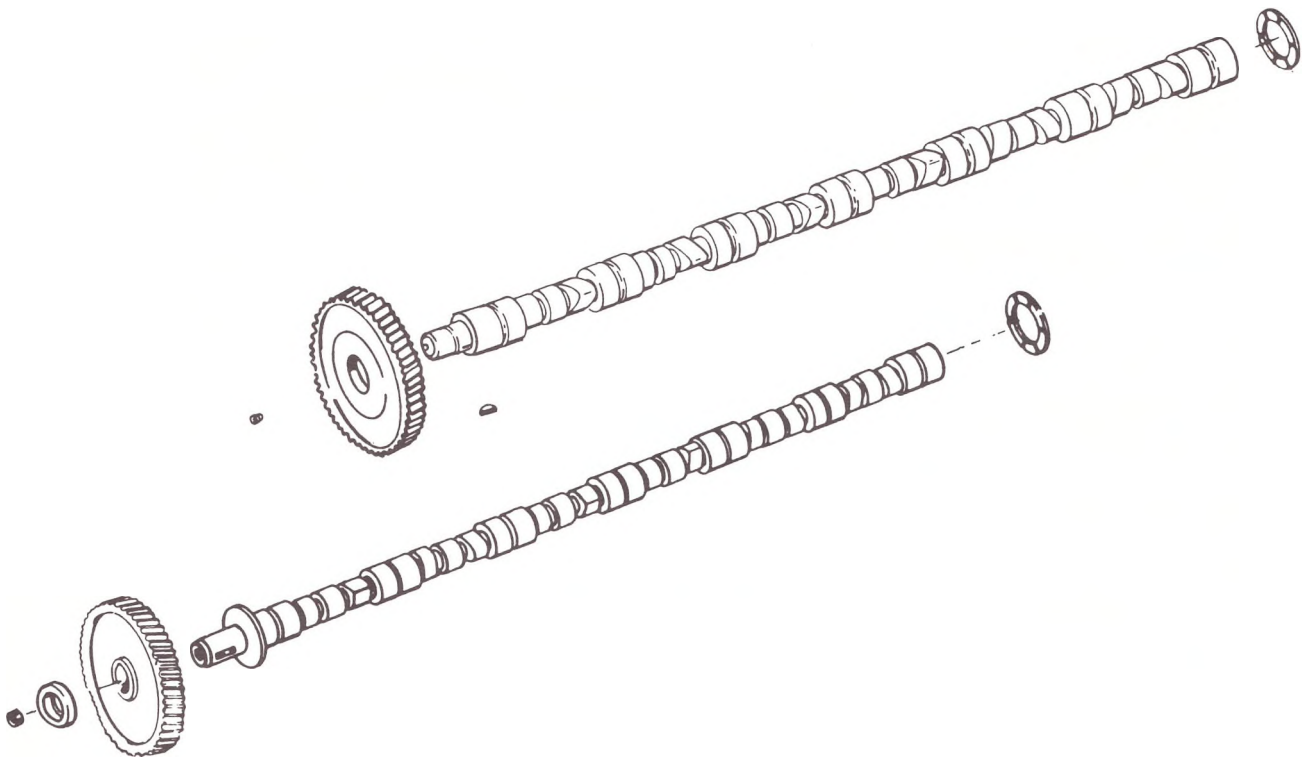
ENGINE MODEL	PART NUMBER	DESCRIPTION
KT-19	B3005885	DRY
KT-19	B3005886	WET
KT-38	B3016790	DRY
KT-38	B3005887	WET
KT-50	B3016790	DRY
KT-50	B3005887	WET



"Exploded View of Typical 855 Series Engine"

Camshafts

01.07.0



"Exploded View of Typical 855 Series Engine"

4 5/8" BORE

SMALL V SERIES

ENGINE MODEL	NON-TURBO	TURBO
V-378 (SC)	B3277463	
V-378 (BC)	B3278028	B3279839
V-504 (SC)	B3277465	B0157621
V-504 (BC)	B3278030	B3278031
V-555 (SC)	B3277462	B3277464
V-555 (BC)	B3278030	B3278031
V8-210	B3278031	

5 1/8" BORE

743 SERIES (NH220)

ENGINE MODEL	P/N	
743/NH220	B0129860	



Camshafts (Continued)

01.07.0

5 1/8" BORE

CPL	CAMSHAFT
26	B3801030
160	B3023177
217	B3023177
220	B3023177
222	B3801763
223	B3801763
266	B3801763
267	B3801763
294	B3801763
306	B3801763
308	B3801763
310	B3801763
322	B3801763
323	B3801763
324	B3801763
327	B3801763
328	B3801763
330	B3026972
332	B3801763
353	B3801763
354	B3801763
369	B3801763
393	B3801763
407	B3023177
413	B3801278
433	B3801763
449	B3049024
450	B3049024
454	B3026972
455	B3026972
456	B3026972

855 SERIES

CPL	CAMSHAFT
457	B3026972
458	B3026972
459	B3026972
462	B3049024
463	B3049024
471	B3049024
491	B3801763
497	B3023177
499	B3801763
506	B3801763
529	B3049024
530	B3049024
531	B3049024
533	B3049024
554	B3049024
579	B3049024
581	B3049024
582	B3049024
586	B3801426
606	B3049024
614	B3801426
615	B3801426
616	B3801426
617	B3801426
625	B3049024
632	B3049024
633	B3049024
634	B3049024
653	B3801668
674	B3049024
675	B3049024

CPL	CAMSHAFT
676	B3801448
677	B3801426
702	B3026972
709	B3801030
718	B3049024
749	B3049024
769	B3049024
794	B3801426
795	B3801426
796	B3049024
797	B3049024
806	B3801749
811	B3049024
812	B3049024
813	B3049024
814	B3801448
821	B3801749
832	B3049024
833	B3801749
849	B3049024
880	B3801668
903	B3801749
905	B3049024
907	B3049024
974	B3265173
990	B3801668
991	B3801668
1194	B3049024
1255	B3049024
1310	B3801278

4 1/2" BORE

MEDIUM V SERIES

ENGINE MODEL	NON-TURBO	TURBO
V-VT 903	B3005822	B0215580



Camshafts (Continued)

01.07.0

5 1/2" BORE

V-28 SERIES

CPL	CAMSHAFT	
	RB	LB
336	B3801020	B3801021
403	B3801020	B3801021
405	B3801020	B3801021
406	B3801020	B3801021
589	B3801307	B3801308
679	B3801307	B3801308
680	B3801307	B3801308
740	B3801307	B3801308
759	B3801307	B3801308
944	B3801024	B3801025
945	B3801024	B3801025
1176	B3801307	B3801308
1195	B3801307	B3801308

6 1/4" BORE

KT SERIES

KT 19

CPL	CAMSHAFT
219	B3066877
292	B3066877
293	B3066877
379	B3066877
444	B3066877
445	B3066877
447	B3066877
520	B3066877
520	B3066877
584	B3066877
720	B3066879
724	B3066877
739	B3066880
801	B3066879
841	B3066879
860	B3066880
885	B3066877
886	B3066877
888	B3066877
951	B3066882
969	B3066877
1171	B3066881
1253	B3066882
1318	B3066877
1319	B3066882
1455	B3066882

KT 38

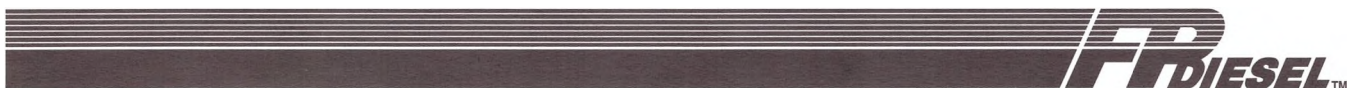
CPL	CAMSHAFT	
	RB	LB
809	B3066884	B3066885
844	B3066888	B3066889
851	B3066884	B3066885
852	B3066884	B3066885
859	B3066888	B3066889
864	B3066884	B3066885
865	B3066884	B3066885
866	B3066884	B3066885
869	B3066884	B3066885
869	B3066884	B3066885
872	B3068890	B3068891
876	B3066890	B3066891
879	B3066884	B3066885
889	B3066884	B3066885
901	B3066884	B3066885
901	B3066884	B3066885
975	B3066884	B3066885
976	B3066884	B3066885
1251	B3062076	B3062077
1299	B3066884	B3066885



Camshafts (Continued) 01.07.0

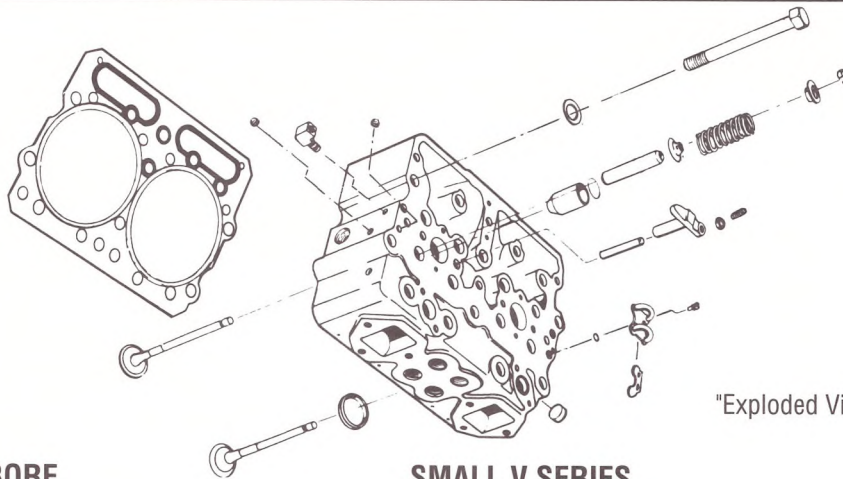
KT-50

CPL	CAMSHAFT	
	RB	LB
816	B3066906	B3066911
846	B3066896	B3066897
853	B3066895	B3066894
861	B3066895	B3066894
862	B3066895	B3066894
870	B3066895	B3066894
874	B3066985	B3066894
874	B3066895	B3066894
878	B3066899	B3066898
968	B3066910	B3066911
977	B3066895	B3066894
1219	B3074304	B3074305
1254	B3062621	B3066894



Cylinder Heads

02.01.0



"Exploded View of Typical 855 Series Engine"

4 5/8" BORE

SMALL V SERIES

ENGINE MODEL	PART#	TURBO (VT)
V/VT 378 SC/BC	B3278177	
V/VT 504 SC/BC	B3278189	
V 555 SC/BC	B3278191	B3278192
V8-210	B3278189	

5 1/8" BORE

743 SERIES (NH220)

ENGINE MODEL	PART#	DESCRIPTION
743/NH220	BBM-61413	2 VALVE
743/NH220	BBM-60941	4 VALVE

5 1/2" BORE

855 SERIES

ENGINE MODEL	PART#	DESCRIPTION
855	B3041993 (3041992 BARE)	COMPLETE
855	B3055098	NEW BIG CAM
855	B3050419	NTC/NTCC 444 ONLY

5 1/2" BORE

MEDIUM V SERIES

ENGINE MODEL	PART#	
V/VT 903	BAR-11171	

5 1/2" BORE

V-28 SERIES (1710)

ENGINE MODEL	PART#	
V/VTA 28 (1710)	B3052177	

6 1/4" BORE

KT SERIES

CYLINDER HEAD ASSY	APPLICATION	
B3072438 (PREMIUM #1)	Marine, Hydraulic excavators, prime power/base load.	
B3074622 (PREMIUM #2)	All engine above 100 HP per cylinder.	
B3074623 (IMPROVED)	All engine 100 HP or below per cylinder	
B3068402 (STANDARD)	Standby Generator Drive engines only.	



"In-Frame" Engine Kits

- Cylinder Kits (Available Std. and Oversizes)
- Main Bearings (Available Std. and Oversizes)
- Con Rod Bearings (Available Std. and Oversizes)
- Thrust Washers
- In-Frame Gasket Kit

ENGINE MODEL	PART#	NOTES
855	B-855PREM	Premium Ring Set
855	B-855PREM +	Premium Plus Ring Set

IMPORTANT: When ordering please indicate:

1. Small Cam or Big Cam
2. Size of Liners
3. Size of Main Bearings
4. Size of Rod Bearings



Valve Train Components

02.01.0

Valve Int	Valve Exh	Valve Locks	Valve Seat Int	Valve Seat Exh	Guide Int	Guide Exh	Spring Int
-----------	-----------	-------------	----------------	----------------	-----------	-----------	------------

4 5/8" Bore Small V Series

V-378	B3275256	B3275256	B3275354	B0195000	B0154390	B3278173	B0163037	B0163037
V-504	B3275256	B3275256	B3275354	B0195000	B0154390	B3278173	B0163037	B0163037
V-555	B3275356	B3275356	B3275354	B0195000	B0154390	B3278173	B0163037	B0163037
V8-210	B3275356	B3275356	B3275354	B0195000	B0154390	B3278173	B0163037	B0163037

5 1/8" Bore 743 Series

743/NH220 4 Valve	B0150288	B0144911	B0002037-S	B0069965	B0069965	B0066890	B0066890	B0111446
743/IMH220 2 Valve	B0069032	B0144911	B060011-1	B0070650	B0070650	B0105984	B0105984	B0068997

5 1/2" Bore 855 Series

855	B0013597	B0145701S	B0127544	B0200354	B3017759	B3050369	B3050369	B0211999
855		B3040830				B3006456		

5 1/2" Bore Medium V Series

V/VT 903	B0216707	B0138887	B0127554	B0212217	B0212940	B0138937	B0138937	Inner B0014673 Outer B0014673
----------	----------	----------	----------	----------	----------	----------	----------	----------------------------------

5 1/2" Bore V-28 Series

VT/NTA 28 (1710)	B0145701S	B0145701S	B0127554	B3017759	B3017759	B3050369	B3050369	B0211999
------------------	-----------	-----------	----------	----------	----------	----------	----------	----------

6 1/2" KT Series

KT-19	B0207241	B3035110	B0205091	B3026296	B0209093	B3201311	B3201311	B0205208
KT-38	B0207241	B3035110	B0205091	B3026296	B0209093	B3201311	B3201311	B0205208
KT-50	B0207241	B3035110	B0205091	B3026296	B0209093	B3201311	B3201311	B0205208



Valve Train Components

02.01.0

	Spring Exh	Retainer, Valve Spring	Wearplate	Crosshead Valve Int	Crosshead Valve Exh	Valve Seals	Crosshead Guide	Seat, Valve Spring
--	---------------	------------------------------	-----------	------------------------	------------------------	----------------	--------------------	--------------------------

4 5/8" Bore Small V Series

V-378	B0155441	B0155441	B0553811	B0156879	B0156541	B0156541	B0154220	
V-504	B0155441	B0155441	B0553811	B0156879	B0156541	B0156541	B0154220	
V-555	B0155441	B0155441	B0553811	B0156879	B0156541	B0156541	B0154220	
V8-210	B0155441	B0155441	B0553811	B0156879	B0156541	B0156541	B0154220	

5 1/8" Bore 743 Series

743/NH220 4 Valve	B0111446	B0066871	B0066871	B0110472	B0110472		B0123558	
743/NH220 2 Valve	B0068997	B0060010	B0105986					B0105986 2V

5 1/2" Bore 855 Series

855	B0211999	B0170296	B0170296	B3030038	B3030038		B0123558	B3042745
-----	----------	----------	----------	----------	----------	--	----------	----------

5 1/2" Bore Medium V Series

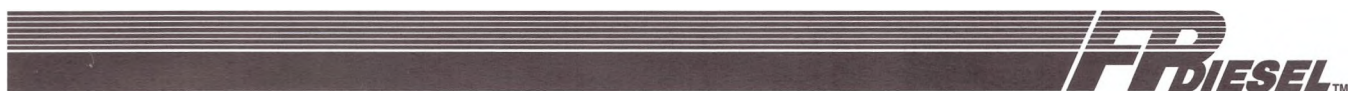
VVT 903	Inner B014673 Outer B016731	B0146733	B0212504	BAR-5632	BAR-5633	B0156641	B0123558	B0212504
---------	--------------------------------	----------	----------	----------	----------	----------	----------	----------

5 1/2" Bore V-28 Series

VT/VTA 28 (1710)	B0211999	B0170296	B0172034	B3030038	B3030038		B0123558	B3042745
------------------	----------	----------	----------	----------	----------	--	----------	----------

6 1/4" KT Series

KT-19	B0205208	B0205094	B3001663	B3033687	B3033687		B0205169	B3001663
KT-38	B0205208	B0205094	B3001663	B3801445	B3801445		B0205169	B3001663
KT-50	B0205208	B0205094	B3001663	B3801445	B3801445		B0205169	B3001663



Head Bolts

02.01.0

4 5/8" BORE

SMALL V SERIES

ENGINE MODEL	PART NUMBER	DESCRIPTION
V-378	B0162182	SHORT (20)
V-378	B0162183	LONG (8)
V-504	B0553444	SHORT (26)
V-504	B0553445	LONG (10)
V-555	B0553444	SHORT (26)
V-555	B0553445	LONG (10)
V8-210	B0553444	SHORT (26)
V8-210	B0553445	LONG (10)

5 1/8" BORE

743 SERIES (NH220)

ENGINE MODEL	PART NUMBER	
743/NH200	B0188329 (18)	
743/NH220	B0209700 (36)	

5 1/2" BORE

855 SERIES

ENGINE MODEL	PART NUMBER	
855	B3013623 (36)	

5 1/2" BORE

MEDIUM V SERIES

ENGINE MODEL	PART NUMBER	DESCRIPTION
V/VT 903	B0209700	SHORT (26)
V/VT 903	B0214751	LONG (10)

5 1/2" BORE

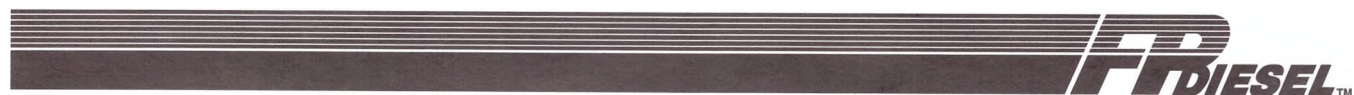
V-28 SERIES (1710)

ENGINE MODEL	PART NUMBER	
VT/VTA 28 (1710)	B0177734	

6 1/4" BORE

KT SERIES

ENGINE MODEL	PART NUMBER	
KT-19	B3032633 (36)	
KT-38	B3032633 (72)	
KT-50	B3032633 (72)	



Injector Tubes

02.01.0

4 5/8" BORE

SMALL V SERIES

ENGINE MODEL	TUBE	O-RING	
V-378	B0169630	B3007759	
V-504	B0169630	B3007759	
V-555	B0169630	B3007759	
V8-210	B0169630	B3007759	

5 1/8" BORE

743 SERIES (NH220)

ENGINE MODEL	TUBE		
743/NH220	B0202605 2+4V		

5 1/2" BORE

855 SERIES

ENGINE MODEL	DESCRIPTION	TUBE	O-RING
855	THICK WALL	B3011935	B3007759
855	THIN WALL	B3011934	

5 1/2" BORE

MEDIUM V SERIES

ENGINE MODEL	TUBE	O-RING	
V/VT 903	B3011934	B3007759	

5 1/2" BORE

V-28 SERIES (1710)

ENGINE MODEL	TUBE	O-RING	
VT/VTA 28(1710)	B3007759	B3011934	



Upper Rocker Bushing

03.01.0

4 5/8" BORE

SMALL V SERIES

ENGINE MODEL	VALVE BUSHING	INJECTOR BUSHING	ROCKER COVER GASKET
V-378	B0152937	B0152936	B0154019
V-504	B0152937	B0152936	B0157018
V-555	B0152937	B0152936	B0157018
V8-210	B0152937	B0152936	B0157018

5 1/8" BORE

743 SERIES (NH220)

ENGINE MODEL	VALVE BUSHING	INJECTOR BUSHING	ROCKER COVER GASKET
743/NH220	B0140330	B0218153	B0108692

5 1/2" BORE

855 SERIES

ENGINE MODEL	VALVE BUSHING	INJECTOR BUSHING	ROCKER COVER GASKET
BIG CAM	B0140330		B3054841

5 1/2" BORE

MEDIUM V SERIES

ENGINE MODEL	VALVE BUSHING	INJECTOR BUSHING	ROCKER COVER GASKET
V/VT 903	B0141875	B0213289	B3028673

5 1/2" BORE

V-28 SERIES (1710)

ENGINE MODEL	VALVE BUSHING	INJECTOR BUSHING	ROCKER COVER GASKET
VT/VTA 28(1710)	B0140330	B0218153	B3046306

6 1/4" BORE

KT SERIES

ENGINE MODEL	VALVE BUSHING	INJECTOR BUSHING	ROCKER COVER GASKET
KT-19	B0207344	B0207226	B3040720
KT-38	B0207344	B0207226	B3040720
KT-50	B0207344	B0207226	B3040720



Tappet Follower Assembly

04.01.0

4 5/8" BORE

SMALL V SERIES

ENGINE MODEL	INJECTOR	VALVE	
V-378	B3278805	B3024483	
V-504	B3278805	B3024483	
V-555	B3278805	B3024483	
V8-210	B3278805	B3024483	

5 1/8" BORE

743 SERIES (NH220)

ENGINE MODEL	INJECTOR	VALVE	SHAFT
743/NH220	BBM-37634	B3018049	B3065125

5 1/2" BORE

855 SERIES

ENGINE MODEL	INJECTOR	VALVE	SHAFT
855	B3056568	B3056569	B3065125

5 1/2" BORE

MEDIUM V SERIES

ENGINE MODEL	INJECTOR	VALVE	
VVT903	B3004907	B0181027	

5 1/2" BORE

V-28 SERIES (1710)

ENGINE MODEL	INJECTOR	VALVE	
VT/VTA 28 (1710)	B3021545	B3021546	

6 1/4" BORE

KT SERIES

ENGINE MODEL	INJECTOR	VALVE	SHAFT
KT-19	B3039164	B3039163	BAR-10626
KT-38	B3039164	B3039163	BAR-10626
KT-50	B3039164	B3039163	BAR-10626



Cam Follower Components

04.01.0

LOCK VALVE PIN	LOCK INJECTOR PIN	VALVE ROLLER	INJECTOR ROLLER	CAM FOLLOWER VALVE PIN	CAM FOLLOWER INJECTOR PIN
-------------------	----------------------	--------------	--------------------	---------------------------	------------------------------

4 5/8" BORE SMALL V SERIES

V-378	B0169154	B0114223	B0153679	B0154571	B0169154	B0114223
V-504	B0169154	B0114223	B0153679	B0154571	B0169154	B0114223
V-555	B0169154	B0114223	B0153679	B0154571	B0169154	B0114223
V8-210	B0169154	B0114223	B0153679	B0154571	B0169154	B0114223

5 1/8" SERIES 743 SERIES (NH220)

743/NH-220	B0118939		B009260-1	B3062096	B0068513	B0068512
------------	----------	--	-----------	----------	----------	----------

5 1/2" BORE 855 SERIES

855	B0118939		B3036933	B3036934	B3013331	B3013330
-----	----------	--	----------	----------	----------	----------

5 1/2" BORE MEDIUM V SERIES

V/VT 903	B0108186	B0108187	B0152082	B0213061	B0169327	B0213058
----------	----------	----------	----------	----------	----------	----------

5 1/2" BORE V-28 SERIES (1710)

VT/VTA 28 (1710)	B0108187	B0108187	B3006699	B3017511	B0113749	B0163815
------------------	----------	----------	----------	----------	----------	----------

6 1/4" BORE KT SERIES

KT-38	B0205438	B0205438	B3016826	B3016825	B0205071	B0205068
KT-38	B0205438	B0205438	B3016826	B3016825	B0205071	B0205068
KT-50	B0205438	B0205438	B3016826	B3016825	B0205071	B0205068



Push Rods

04.02.0

4 5/8" BORE

SMALL V SERIES

ENGINE MODEL	ROD PUSH INTAKE	ROD PUSH EXHAUST	ROD PUSH INJECTOR
V-378	B0168209	B0168209	B0170326
V-504	B0168209	B0168209	B0170326
V-555	B0202835	B0202835	B3003602
V8-210	B0168209	B0168209	B0170326

5 1/8" BORE

743 SERIES (NH220)

ENGINE MODEL	ROD PUSH INTAKE	ROD PUSH EXHAUST	ROD PUSH INJECTOR
743/NH 220	B3053977	B3046418	B3046431

5 1/2" BORE

855 SERIES

ENGINE MODEL	ROD PUSH INTAKE	ROD PUSH EXHAUST	ROD PUSH INJECTOR
SMALL CAM	B3046418	B3053377	B3046431
BIG CAM	B3046420	B3046420	B3046430

5 1/2" BORE

MEDIUM V SERIES

ENGINE MODEL	ROD PUSH INTAKE	ROD PUSH EXHAUST	ROD PUSH INJECTOR
V/VT 903	B0169351	B0169351	B3003602

5 1/2" BORE

V-28 SERIES (1710)

ENGINE MODEL	ROD PUSH INTAKE	ROD PUSH EXHAUST	ROD PUSH INJECTOR
VT/VT A28 (1710)	B3046419	B3046419	B3046432

6 1/4" BORE

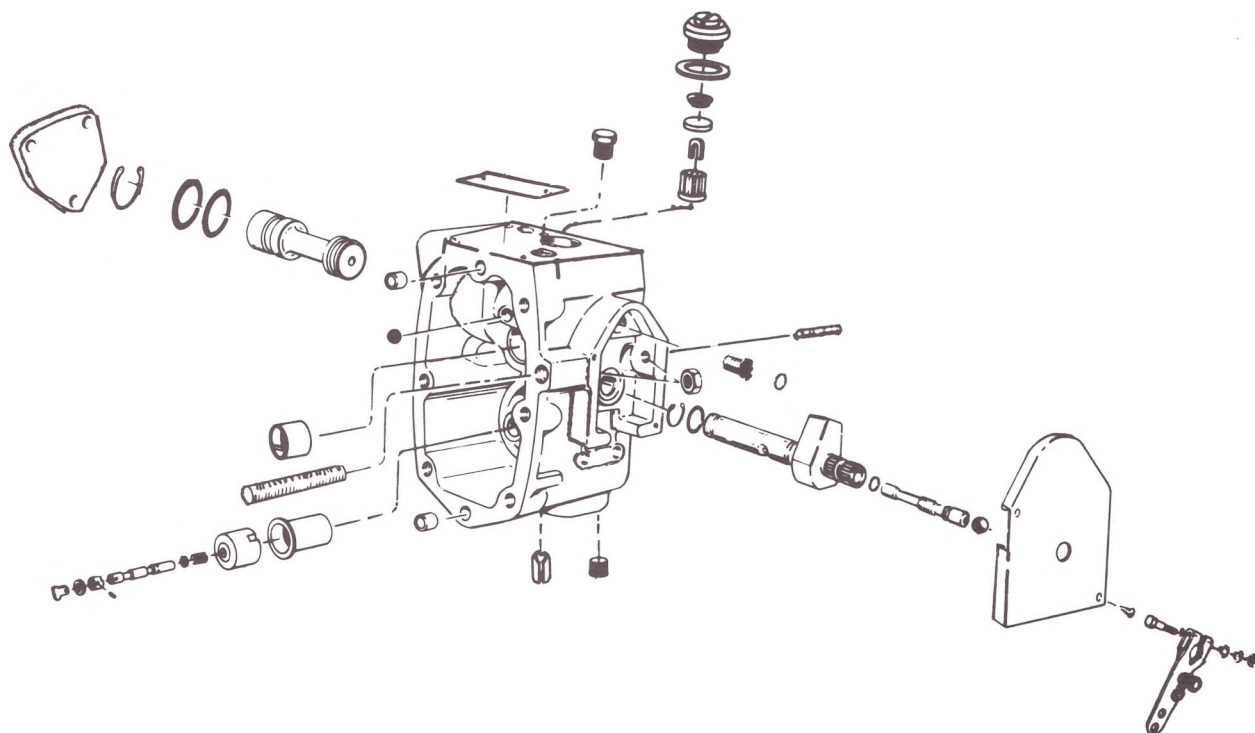
KT SERIES

ENGINE MODEL	ROD PUSH INTAKE	ROD PUSH EXHAUST	ROD PUSH INJECTOR
KT-19	B0205492	B0205492	B3017961
KT-38	B3057139	B3057139	B3017961
KT-50	B3057139	B3057139	B3017961



Fuel Pump Gasket Sets

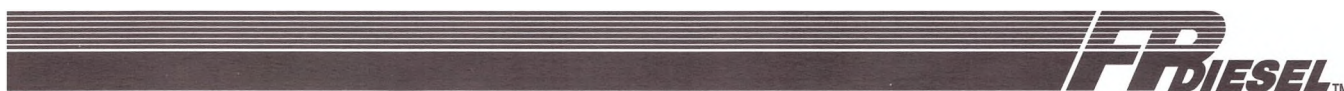
05.01.03



"Exploded View of Typical 855 Series Engine"

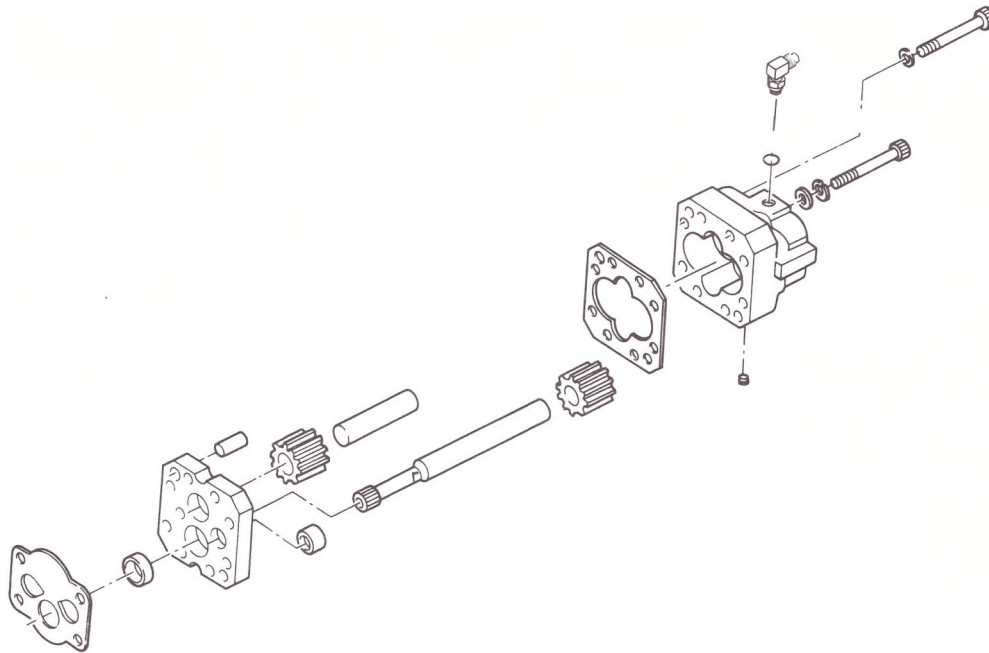
PART NUMBER	APPLICATION
BBM-68356	PT TYPE G - STANDARD GOVERNOR
BBM-98776	SEAL KIT-MVS GOVERNOR (USE W/BBM-68356)
B3010240	PT TYPE G- PRESSURE REGULATED
B3010242	PT TYPE G- AFC/AFC - VS
B3801003	PT TYPE H- AFC/AFC - VS

GASKETS



Fuel Gear Pump

05.08.01



"Exploded View of Typical 855 Series Engine"

4 5/8" BORE

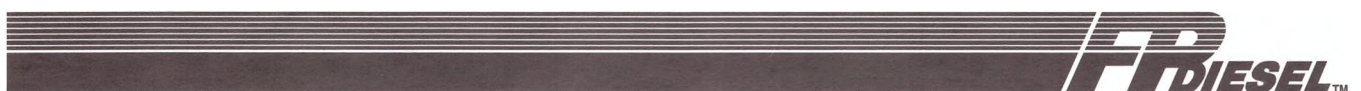
SMALL V SERIES

ENGINE MODEL	PUMP	GEAR	SHAFT DRIVE	SHAFT IDLER	MOUNTING GASKET	GASKET
V-378	B3034232	B0167166	B0167169	B0175866	B3026163	B0110855
V-8 210	B3034232	B0167166	B0167169	B0175866	B3026163	B0110855
VA/T 504	B3034232	B0167166	B0167169	B0175866	B3026163	B0110855
V/VT 555	B3034234	B0119363	B0100215	B0175864	B3026163	B0110855

5 1/8" BORE

743 SERIES (NH220)

ENGINE MODEL	PUMP	GEAR	SHAFT DRIVE	SHAFT IDLER	MOUNTING GASKET	GASKET
743/NH220	B3034233	B0119363	B0100215	B0175864	B3026163	B0110855



Fuel Gear Pump (Continued) 05.08.01

5 1/2" BORE

855 SERIES

ENGINE MODEL	PUMP	GEAR	SHAFT DRIVE	SHAFT IDLER	MOUNTING GASKET	GASKET
855 (7/16") RH	B3034215	B0167166	B0167169	B0175866	B3026163	B0110855
(7/16") LH	B3034216	B0167166	B0167169	B0175866	B3026163	B0110855
(3/4") RH	B3034217	B0167166	B0167169	B0175866	B3026163	B0110855
(3/4") LH	B3034218	B0167166	B0167169	B0175866	B3026163	B0110855
(1") RH	B3034219	B0170942	B0100216	B0100133	B3026163	B0110855

5 1/2" BORE

MEDIUM V SERIES

ENGINE MODEL	PUMP	GEAR	SHAFT DRIVE	SHAFT IDLER	MOUNTING GASKET	GASKET
V/VT 903 (3/4") LH	B3034218	B0119363	B0100215	B0175864	B3026163	B0110855
(1") LH	B3034220	B0170942	B0100216	B0100133	B3026163	B0110855
(3/4") LH	B3034234	B0119363	B0100215	B0175864	B3026163	B0110855

5 1/2" BORE

V-28 SERIES (1710)

ENGINE MODEL	PUMP	GEAR	SHAFT DRIVE	SHAFT IDLER	MOUNTING GASKET	GASKET
V-28 (1710) (1") LH	B3034220	B0170942	B0100216	B0100133	B3026163	B0110855
(3/4") LH	B3034234	B0119363	B0100215	B0175864	B3026163	B0110855

6 1/4" BORE

KT SERIES

ENGINE MODEL	PUMP	GEAR	SHAFT DRIVE	SHAFT IDLER	MOUNTING GASKET	GASKET
KT (1") RH	B3034219	B0170942	B0100216	B0100133	B3026163	B110855
(3/4") RH	B3034217	B0119363	B0100215	B0175864	B3026163	B110855
(3/4") RH	B3034233	B0119363	B0100215	B0175864	B3026163	B110855
(1-1/4") RH	B3034213	B0119364	B0100217	B0175865	B3026163	B110855
(1-1/4") RH	B3034221	B0119364	B0100217	B0175865	B3026163	B110855
(1") RH	B3034211	B0170942	B0100216	B0100133	B3026163	B110855

Injector Assembly

06.01.0

855 SEF MES

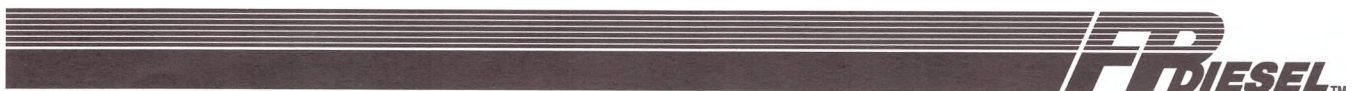
	CPL #	INJECTOR	ENGINE MODEL
SMALL CAM	26	B3054250	NH-250
	160	B3018834	NTC-350
	217	B3054088	NTC-290
	220	B3054058	NTC-230
	407	B3054223	NTC-230
	497	B3054223	NTC-240
	709	B3046281	NHC-250
BIG CAM	300	B3054233	NTC-475
	433	B3054388	NTC-300
	449	B3054232	NTC-400
	450	B3054231	NTC-350
	454	B3054229	NTCC-400
	455	B3054230	NTCC-350
	222	B3054221	NTC-250
BIG CAM I	266	B3054095	NTC-290
	267	B3054072	NTC-350
	306	B3054073	NTC-400
	308	B3054073	NTCC-350
	324	B3047966	NTC-400
	327	B3047979	NTC-350
	328	B3047968	NTCC-350
	332	B3054228	NTCC-290
	353	B3054228	NTC-290
	354	B3047970	NTC-250
	393	B3054071	NTC-400
BIG CAM II	456	B3054229	NTCC-300
	457	B3054235	NTCC-400
	458	B3054234	NTCC-350
	459	B3054230	NTCC-300
	471	B3054228	NTC-300
	491	B3047970	NTC-270

	CPL#	INJECTOR	ENGINE MODEL
BIG CAM III	529	B3054228	NTC-300
	530	B3054231	NTC-350
	531	B3047973	NTC-400
	579	B3047970	NTC-270
	581	B3047970	FLEET-270
	586	B3047978	NTC-475
	606	B3054228	FLEET-300
	614	B3047980	NTC-400
	615	B3047982	NTCC-350
	616	B3047981	NTCC-300
	617	B3047979	NTCC-240
	625	B3047973	NTC-400
	632	B3054231	NTC-350
	633	B3054228	NTC-300
	634	B3054228	FLEET-300
	677	B3047982	HHHTC-350
	769	B3054231	HTC-350
BIG CAM IV	674	B3054228	HTC-300
	675	B3054231	NTC-350
	676	B3047973	NTC-400
	718	B3054228	FLEET-300
	749	B3054228	NTC-315
	794	B3047981	NTCC-315
	795	B3047982	NTCC-350
	797	B3054228	NTC-350
	806	B3054231	NTCC-444
	811	B3062149	NTC-300
	812	B3054228	NTC-315
	813	B3054228	NTC-350
	814	B3054231	NTC-400
	821	B3047973	NTC-444
	832	B3062147	NTC-300
	833	B3054228	NTC-400/365
	903	B3062148	NTC-444
905	B3062147	NTC-350/ 320 /300	

KT SERIES

	CPL#	INJECTOR	ENGINE MODEL
KT19	219	B3022197	KT19-M
	293	B3016675	KTA19-A-CP
	379	B3016676	KTA19-525
	584	B3016676	KT19-M
	720	B5058800	KTA19-M
KT38	809	B3052255	KT38-C925

	CPL#	INJECTOR	ENGINE MODEL
KT50	816	B3058802	KTTA50-C
	853	B3053124	KTA50G/GC



Fuel Injection Components 06.01.0

✓

PTD INJECTOR

Description	Part Number	Ref.
Cup	Chart 100	1
Plunger and Barrel	Chart 101	10
Body-Adaptor	B0185139	
Plunger	B0178980	
Cup Retainer	B0185138	
Spring	B0166009	
Orifice Gasket	B0173086	
Orifice Screen	B3008706	
Screen Clip	B0174299	
Check Ball	B0167157	
Pin	B0203426	
Barrel Gasket	B0185146	
O' Ring	B0193739	

PTD TOP STOP INJECTOR

Description	Part Number	Ref.
Cup	Chart 100	1
Plunger and Barrel	Chart 101	11
Body-Adaptor	B3000464	
Plunger	B0178980	
Cuper Retainer	B0185138	
Spring	B0166009	
Orifice Gasket	B0173086	
Orifice Screen	B3008706	
Screen Clip	B0174299	
Check Ball	B0167157	
Pin	B0203426	
Barrel Gasket	B0185146	
Locknut	B3000465	
Screw	B0212954	
Spring Retainer	B3015469	
O'Ring	B0193736	

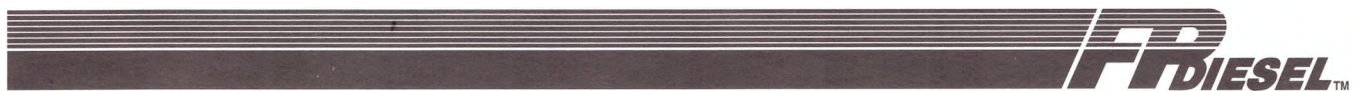
PTD SMALL V INJECTOR

Description	Part Number	Ref.
Cup	Chart 100	2
Plunger and Barrel	Chart 101	12
Body-Adaptor	B0556895	
Plunger	B0178980	
Cup Retainer	B0556894	
Spring	B0166009	
Orifice Gasket	B0173086	
Orifice Screen	B3008706	
Screen Clip	B0174209	
Check Ball	B0167157	
Pin	B0203426	
Barrel Gasket	B0185782	
O' Ring (Viton)	B0193736	
O' Ring (Buna)	B0101754	

PTK INJECTOR

Description	Part Number	Ref.
Cup	Chart 100	3
Plunger and Barrel	Chart 101	13
Body-Adaptor	B0205463	
Plunger	B0178980	
Cuper Retainer	B0207245	
Spring	B0205464	
Orifice Gasket	B0173086	
Orifice Screen	B3008706	
Screen Clip	B0174209	
Check Ball	B0167157	
Pin	B0203426	
Barrel Gasket	B0185146	
O'Ring (Viton)	B0193736	
O'Ring	B0205216	
O'Ring (Red Dot)	B3010510	

NOTE: Please see charts on pages 45 and 46.



Fuel Injection Component tconv 06.01.1

INJECTION CUP

CHART #100

REF	PART	HOLES	SIZE PTD CUP	ANGLE
1	B3012535	8	.007	18
1	B3012536	8	.008	18
1	B3012537	8	.0065	18
1	B3012538	9	.008	18
1	B3023556	9	.0085	18
1	B3000798	9	.007	4
1	B3003928	9	.0058	4
1	B3003929	7	.0075	4
1	B3003930	7	.008	4
1	B3003931	7	.0075	6
1	B3004054	9	.007	6
1	B3006540	8	.006	2
1	B3006541	8	.0065	2
1	B3006542	9	.005	4
1	B3006543	9	.0065	2
1	B3006544	9	.008	4
1	B3006545	8	.008	14
1	B3008950	8	.0065	17
1	B3010511	7	.007	4
1	B3018813	10	.0065	18
1	B3018814	10	.007	18
1	B3018860	7	.007	17
1	B3018861	7	.006	20
1	B3018862	8	.009	18
1	B3018863	7	.007	21
1	B3022154	8	.006	4
1	B3023216	10	.006	8
1	B3024148	9	.009	18
1	B3026537	10	.007	13
1	B3028068	9	.007	10
1	B3031504	10	.0056	12
1	B3047503	9	.0073	6
1	B3052229	8	.0093	18
1	B3052630	88	.009	18
1	B3053742	9	.0086	18
1	B3056341	10	.006	10
1	B3059423	8	.007	14
1	B3202078	8	.006	10

REF	PART	PTD	S.V.	CUP
2	B3020793	8	.005	4
2	B3275265	7	.0055	4
2	B3275266	7	.006	4
2	B3276267	7	.006	3
3	B3001314	10	.0085	10
3	B3003932	9	.0085	7
3	B3003933	9	.0085	10
3	B3005963	10	.0075	10
3	B3055135	10	.070	10
3	B3062094	10	.0095	10



Fuel Injection Component (cony 06.01.2

INJECTOR PLUNGERS AND BARRELS

CHART #101

REF	PART	DESCRIPTION — PTD
10	B3048322	LOW FLOW
10	B3018324	HIGH FLOW
10	B3018325	HIGH FLOW
10	B3047964	DIRECT FEED
10	B3054532	DIRECT FEE H.F.

REF	PART	DESCRIPTION — PTD
11	B3018366	HIGH FLOW
11	B3018587	DIRECT FEED H.F.
11	B3022968	HIGH FLOW
11	B3047963	DIRECT FEED
11	B3054533	DIRECT FEED

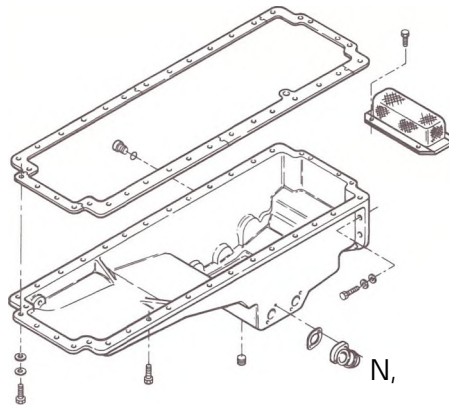
REF	PART	DESCRIPTION — PTD
12	BAR-40063	LOW FLOW
12	BAR-73665	HIGH FLOW

REF	PART	DESCRIPTION — PTK
13	B3037292	DIRECT FEED



Oil Pan Gasket

07.01.0



"Exploded View of Typical 855 Series Engine"

4 5/8" BORE

SMALL V SERIES

ENGINE MODEL	PART NUMBER	
V-378	B0175726	
VVT 504	B0175727	
VVT 555	B0175727	
V8-210	B0175727	

5 1/8" BORE

743 SERIES (NH220)

ENGINE MODEL	PART NUMBER	DESCRIPTION
743/NH220	B3068463	MULTI-PIECE
743/NH220	B3032861	ONE-PIECE

5 1/2" BORE

855 SERIES

ENGINE MODEL	PART NUMBER	DESCRIPTION
855	B3032861	ONE-PIECE
855	B3049408	MULTI-PIECE

5 1/2" BORE

MEDIUM V SERIES

ENGINE MODEL	PART NUMBER	
VVT 903	B0196949	

5 1/2" BORE

V-28 SERIES (1710)

ENGINE MODEL	PART NUMBER	
VT/VTA 28 (1710)	B0040307-1	

6 1/4" BORE

KT SERIES

ENGINE MODEL	PART NUMBER	DESCRIPTION
KT-19	B3042587	OIL PAN ADAPTOR FOR GASKET
KT-19	B3042590	OIL PAN GASKET
KT-19	B3073213	ADAPTOR COVER GASKET
KT-38	B3043212	
KT-50	B3043213	

GASKETS

Lube Oil Cooler & Pump

07.05.0

DIPSTICK & TUBE

07.02.0

5 1/2" BORE

855 SERIES

ENGINE MODEL	PART NUMBER	DESCRIPTION
855	B0216484	BLANK, 90" LONG
855	B0108470	BUSHING, RUBBER DIPSTICK

OIL COOLER

07.05.0

4 5/8" BORE

SMALL V SERIES

ENGINE MODEL	PART NUMBER	DESCRIPTION
V378	B0110848	ELEMENT, 6 1/2"
V504	B0110848	ELEMENT, 6 1/2"
V8-210	B0110848	ELEMENT, 6 1/2"

5 1/8" BORE

743 SERIES (NH220)

ENGINE MODEL	PART NUMBER	DESCRIPTION
743/NH220	B0110848	ELEMENT, 6 1/2"

5 1/2" BORE

855 SERIES

ENGINE MODEL	PART NUMBER	DESCRIPTION
855	B0110848	ELEMENT, NON-PISTON COOLED
855	B0142608	ELEMENT, PISTON COOLED 16"
855	B3021581	ELEMENT, PISTON COOLED 12 1/2" - use W/B0210915 casting

5 1/2" BORE

MEDIUM V SERIES

ENGINE MODEL	PART NUMBER	DESCRIPTION
VVT903	B3021581	ELEMENT, 12 1/2"

LUBE OIL PUMP

07.06.0

5 1/2" BORE

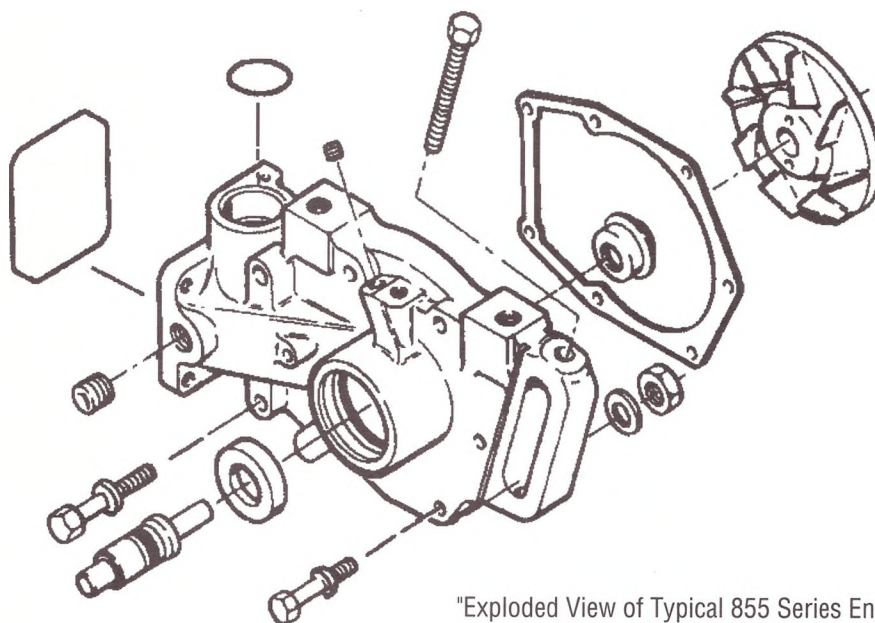
855 SERIES

ENGINE MODEL	PART NUMBER	DESCRIPTION
855	BAR-10172	BC I & NTC-HIGH PRESSURE
855	B3821575	BC II, III, IV



Water Pumps

08.01.0



"Exploded View of Typical 855 Series Engine"

4 5/8" BORE

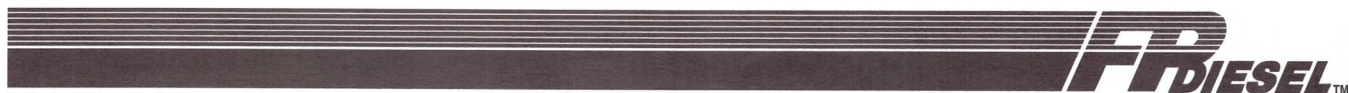
SMALL V SERIES

ENGINE MODEL	PART NUMBER	
V-378 (SC)	BAR-61788	
V-378 (BC)	B3014476	
V-504 (SC)	BAR-61788	
V-504 (BC)	B3014476	
V-555	B3014476	
V8-210	BAR-60677	

5 1/8" BORE

743 SERIES (NH 220)

ENGINE MODEL	PART NUMBER	DESCRIPTION
743/NH220	BBM-50345	RIGHT HAND
743/NH220	BBM-50356	LEFT HAND



Water Pumps (Continued)

08.01.0

5 1/2" BORE

855 SERIES

ENGINE MODEL	PART NUMBER	DESCRIPTION
855	BAR-4284	NON FFC SHORTSHAFT
855	BAR-4587	NON FFC LONG SHAFT
855	BAR-4548	NON FFC LONG SHAFT
855	BAR-9066	NON FFC NTA
855	B3801708	BIG CAM FFC (VENTED)
885	B3801711	FORMULA BIG CAM
855	B3801713	SMALL CAM
855	B3801788	BIG CAM FFC
855	B3064919	IDLER ASSY. BIG CAM
855	B3064920	IDLER ASSY. SMALL CAM
SMALL CAM	B3801715	FFC
SMALL CAM	B3022474	FFC

5 1/2" BORE

MEDIUM V SERIES

ENGINE MODEL	PART NUMBER	
VVT 903	BAR-5664	
VVT 903	BAR-12966	

5 1/2" BORE

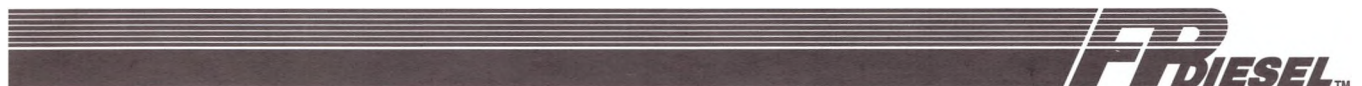
V-28 SERIES (1710)

ENGINE MODEL	PART NUMBER	
VT/VTA 28 (1710)	B3011723	
VT/VTA 28(1710)	B3004795	

6 1/4" BORE

KT SERIES

ENGINE MODEL	PART NUMBER	
KT-19	B3011389	
KT-19	B3011390	
KT-19	B3054210	
KT-38	B3627083	
KT-50	B3627084	
KT-50	B3050443	



Water Pump Repair Kits

08.01.0

MAJOR

PART NUMBER	APPLICATION	COMMENTS
BAR-9691	NH/NT 855, NON FFC	SEAL & IMPELLER
BAR-51360	NHC-250- NON FFC	IMPELLER, SHAFT & SEAL
B3390117	555 SC ONLY	IMPELLER, SHAFT & SEAL
B3390118	V (T) 903	IMPELLER, SHAFT & SEAL
B3801712	ALL BIG CAM 855	IMPELLER, SHAFT & SEAL
B3801714	SM CAM 855-250 HP & OVER	IMPELLER, SHAFT & SEAL
B3801716	SM CAM 855-OVER 250 HP	IMPELLER, SHAFT & SEAL
B3051412	NH/NT	SHAFT & SEAL

MINOR

PART NUMBER	APPLICATION	COMMENTS
BAR-9931	V (T) 903	SEAL ONLY
BAR-12050	NTA - 400	SEAL ONLY
BAR-61141	SMALL VEE (555 SC)	SEAL & IMPELLER
BAR-62127	SM V (378/504/555 -EXCEPT 555	SEALS IMPELLER
B3801709	NH/NT 855 (BC/SC)	SILICON CARBIDE SEAL
B3801710	NH/NT 855 (BC/SC)	CARBON SEAL

4 5/8" BORE

SMALL V SERIES

ENGINE MODEL	PART NUMBER	DESCRIPTION
V-378	B0163981	170°
V-378	B0204586	175°
V-504	B0163981	170°
V-504	B0204586	175°
V-504	B0135675	170°
V-555	B0204586	175°
V-555	B0135675	170°
V8-210	B0163981	170°

5 1/8" BORE

743 SERIES (NH 220)

ENGINE MODEL	PART NUMBER	DESCRIPTION
743/NH220	B0135675	170°

5 1/2" BORE

855 SERIES

ENGINE MODEL	PART NUMBER	DESCRIPTION
855	B0135675	NON FFC
855	B0201737	FFC 180°
855	B0204586	FFC 175°
855	B3017360	FFC 185°

5 1/2" BORE

MEDIUM V SERIES

ENGINE MODEL	PART NUMBER	DESCRIPTION
V/VT903	B0201737	180°

5 1/2" BORE

V-28 SERIES (1710)

ENGINE MODEL	PART NUMBER	DESCRIPTION
VT/VTA 28 (1710)	B0201737	180°

6 1/4" BORE

KT SERIES

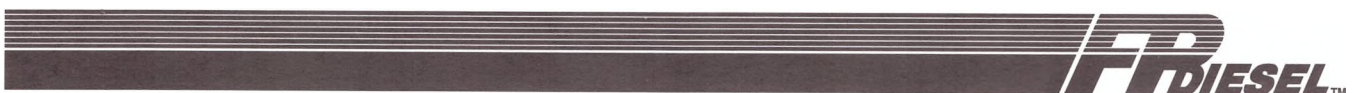
ENGINE MODEL	PART NUMBER	DESCRIPTION
KT-19	B3017360	185°
KT-19	B0204586	175°
KT-38	B3022299	180°
KT-38	B0201737	180°
KT-50	B0201737	180°



Turbocharger Repair Kits

10.06.0

PART NUMBER	DESCRIPTION	TURBOCHARGER DESIGN
BAR-7956	SEAL & BEARING KIT	T-35
B3522771	SEAL, BEARING & SLEEVE KIT	HC3
B3801096	SEAL & BEARING KIT	T-50, ST-50, VT-50,T-446
B3804302	SEAL, BEARING & SLEEVE KIT	T-50,T-46,T-46B,ST-50
B3801100	SEAL & BEARING KIT	VT-50, ST-50
B3801101	SEAL, BEARING, SLEEVE & BEARING	T-50,ST-50,VT-50.T-446
B3801522	SEAL KIT	HT3B
B3801523	SEAL & BEARING KIT	HT3B
B3803201	SEAL & BEARING KIT	HT4B,BHT4C
B3801639	SEAL KIT	HC5A,BHT4C,HT48
B3803257	SEAL & BEARING KIT	HC5A
B3802147	SEAL & BEARING KIT	H1C
B3802148	SEAL & BEARING KIT	H1C
B3802149	SEAL & BEARING KIT	H1E



Gaskets

17.00.0

AUTOMOTIVE SMALL CAM

SMALL V SERIES

MODEL NO.	CYL.	BORE	OVERHAUL	LOWER ENGINE	HEAD SET	HEAD GSKT (ASSY.)	REMARKS
V-352	V6	4 5/8"	(LE & HS)	B3801657	B3277752	B3017063	See Note 1
V-378	V6	4 5/8"	(LE & HS)	B3801657	B3277752	B3017063	See Note 1
V-555	V8	4 5/8"	(LE & HS)	B3801659	BAR-63520	B3017062	See Note 1
VT-555	V8	4 5/8"	(LE & HS)	B3801659	BAR-63520	B3017062	See Note 1
V8-210	V8	4 5/8"	(LE & HS)	B3801658	B3277753	B3017062	See Note 1

AUTOMOTIVE BIG CAM

MODEL NO.	CYL.	BORE	OVERHAUL	LOWER ENGINE	HEAD SET	HEAD GSKT (ASSY.)	REMARKS
V-378	V6	4 5/8"	(LE & HS)	B3801657	B3277752	B3017063	See Note 1
V-504	V6	4 5/8"	(LE & HS)	B3801658	B3277753	B3017062	See Note 1
V-555	V8	4 5/8"	(LE & HS)	B3801659	BAR-63520	B3017062	See Note 1
VT-155	V6	4 5/8"	(LE & HS)	B3801657	B3277752	B3017063	See Note 1
VT-225	V8	4 5/8"	(LE & HS)	B3801659	BAR-63520	B3017062	See Note 1
VT-240	V8	4 5/8"	(LE & HS)	B3801659	BAR-63520	B3017062	See Note 1
VT-504	V8	4 5/8"	(LE& HS)	B3801659	B3277753	B3017062	See Note 1
V8-210	V8	4 5/8"	(LE& HS)	B3801658	B3277753	B3017062	See Note 1

CONSTRUCTION SMALL CAM

MODEL NO.	CYL.	BORE	OVERHAUL	LOWER ENGINE	HEAD SET	HEAD GSKT (ASSY.)	REMARKS
V-378-C	V6	4 5/8"	(LE & HS)	B3801657	B3277752	B3017063	See Note 1
V-504-C	V8	4 5/8"	(LE & HS)	B3801658	B3277753	B3017062	See Note 1
V-555-C	V8	4 4/8"	(LE & HS)	B3801659	BAR-63520	B3017062	See Note 1
VT-555-C	V8	4 4/8"	(LE & HS)	B3801659	BAR-63520	B3017062	See Note 1

CONSTRUCTION BIG CAM

MODEL NO.	CYL.	BORE	OVERHAUL	LOWER ENGINE	HEAD SET	HEAD GSKT (ASSY.)	REMARKS
V-378-C	V6	4 5/8"	(LE & HS)	B3801657	B3277752	B3017063	See Note 1
VT-378-C	V6	4 5/8"	(LE & HS)	B3801657	B3277752	B3017063	See Note 1
V-504-C	V6	4 5/8"	(LE & HS)	B3801658	B3277753	B3017062	See Note 1
VT-504-C	V6	4 5/8"	(LE & HS)	B3801659	B3277753	B3017062	See Note 1
V-555-C	V8	4 5/8"	(LE & HS)	B3801659	BAR-63520	B3017062	See Note 1
VT-555-C	V8	4 5/8"	(LE & HS)	B3801659	BAR-63520	B3017062	See Note 1

INDUSTRIAL POWER

MODEL NO.	CYL.	BORE	OVERHAUL	LOWER ENGINE	HEAD SET	HEAD GSKT (ASSY.)	REMARKS
V-504-1F	V8	4 5/8"	(LE & HS)	B3801658	B3277753	B3017062	See Note 1

Gaskets (Continued)

17.00.0

743 SERIES/NH220

MODEL NO.	CYL.	BORE	OVERHAUL	LOWER ENGINE	REMARKS	HEAD SET	HEAD GSKT. (ASSY.)	REMARKS
NT	6	5 1/8"	(LE & HS)	B3802075	See Note 16	B3802077	B0107371	See Note 18
NTO	6	5 1/8"	(LE & HS)	B3802075	See Note 16	B3802077	B0107371	See Note 18
NRT	6	5 1/8"	(LE & HS)	B3802075	See Note 16	B3802077	B0107371	See Note 18
NRTO	6	5 1/8"	(LE & HS)	B3802075	See Note 16	B3802077	B0107371	See Note 18
NTE-235	6	5 1/8"	(LE & HS)	B3802075	See Note 16		B0107371	See Note 18
NT-743	6	5 1/8"	(LE & HS)	B3802075		B3802075	B0107371	See Note 18

AUTOMOTIVE AND CONSTRUCTION — NATURALLY ASPIRATED

MODEL NO.	CYL.	BORE	OVERHAUL	LOWER ENGINE	REMARKS	HEAD SET	HEAD GSKT. (ASSY.)	REMARKS
NHE-195	6	5 1/8"	(LE & HS)	B3802075	See Note 16	B3802077	B0107371	See Note 17
NH-180	6	4 7/8"	(LE & HS)	B3802075	See Note 16	B3802077	B0107371	See Note 17
NH-195	6	4 7/8"	(LE & HS)	B3802075	See Note 16	B3802077	B0107371	See Note 17
NH-200	6	4 7/8"	(LE & HS)	B3802075	See Note 16	B3802077	B0107371	See Note 17
NH-220	6	5 1/8"	(LE & HS)	B3802075	See Note 16	B3802077	B0107371	See Note 17
N-743	6	5 1/8"	(LE & HS)	B3802075	See Note 16	B3802077	B0107371	See Note 17

SUPERCHARGED

MODEL NO.	CYL.	BORE	OVERHAUL	LOWER ENGINE	REMARKS	HEAD SET	HEAD GSKT. (ASSY.)	REMARKS
NHS	6	5 1/8"	(LE & HS)	B3802075	See Note 16	B3802077	B0107371	See Note 17
NHRS	6	4 7/8"	(LE & HS)	B3802075	See Note 16	B3802077	B0107371	See Note 17
NS-743	6	4 7/8"	(LE & HS)	B3802075	See Note 16	B3802077	B0107371	See Note 17

Gaskets (Continued)

17.00.0

AUTOMOTIVE SMALL CAM — NON FFC

855 SERIES

MODEL NO.	CYL	BORE	OVERHAUL	REMARKS	LOWER ENGINE	HEAD SET	SINGLE HEAD SET	HEAD GSKT. (ASSY.)	REMARKS
NTC-230/ Formula	6	5 1/2"	(LE & HS)	See Note 2	B3801463	B3801330 B3801348	B3801324 B3801329	B3047402 B3049998	See Note 3 See Note 4
NTC-230/ Formula			(LE & HS)		B3801463	B3801330 B3801348	B3801324 B3801329	B3047402 B3049998	See Note 3 See Note 4
NTC-240/ Formula	6	5 1/2"	(LE & HS)	See Note 2	B3801463	B3801330	B3801324	B3047402	See Note 3
Power	6	5 1/2"	(LE & HS)		B3801463	B3801330	B3801324	B3047402	See Note 3
Torque-240						B3801348	B3801329	B3049998	See Note 4
NH-230	6	5 1/2"	(LE & HS)		B3801463	B3801330 B3801348	B3801324 B3801329	B3047402 B3049998	See Note 3 See Note 4
NH, NT-855	6	5 1/2"	(LE & HS)		B3801463	B3801330 B3801348	B3801324 B3801329	B3047402 B3049998	See Note 3 See Note 4
(NT270, NT- 280, NT310, NT335, NT- 350, NT370 NT380, NT- 400, NT855 NTA380, NTA855, NTC280, NTC310, NTC335, NTC350)	6	5 1/2"	(LE & HS)		B3801464	B3801330 B3801348	B3801328 B3801329	B3047402 B3049998	See Note 3 See Note 4

Gaskets (Continued)

17.00.0

AUTOMOTIVE SMALL CAM — FFC 855 SER | ES (Continued)

MODEL NO.	CYL.	BORE	OVERHAUL	LOWER ENGINE	HEAD SET	SINGLE HEAD SET	HEAD GSKT. (ASSY.)	REMARKS
TC-230/ Formula	6	5 1/2"	(LE & HS)	B3014459	B3801330 B3801348	B3801328 B3801329	B3047402 B3049998	See Note 3 See Note 4
TCC-230/ Formula	6	5 1/2"	(LE & HS)	B3014459	B3801330 B3801348	B3801328 B3801329	B3047402 B3049998	See Note 3 See Note 4
Power Torque-240	6	5 1/2"	(LE & HS)	B3014459	B3801330 B3801348	B3801328 B3801329	B3047402 B3049998	See Note 3 See Note 4
TC-240/ Formula	6	5 1/2"	(LE & HS)	B3014459	B3801330 B3801348	B3801328 B3801329	B3047402 B3049998	See Note 3 See Note 4
TCC-290/ Formula	6	5 1/2"	(LE & HS)	B3014459	B3801330 B3801348	B3801328 B3801329	B3047402 B3049998	See Note 3 See Note 4
TC-350	6	5 1/2"	(LE & HS)	B3014459	B3801330 B3801348	B3801328 B3801329	B3047402 B3049998	See Note 3 See Note 4
TC-400	6	5 1/2"	(LE & HS)	B3801465	B3801330 B3801348	B3801328 B3801329	B3047402 B3049998	See Note 3 See Note 4
TC-370, 420 NH	6	5 1/2"	(LE & HS)	B3801465	B3801330 B3801348	B3801328 B3801329	B3047402 B3049998	See Note 3 See Note 4
NH	6	5 1/2"	(LE & HS)	B3014459	B3801330 B3801348	B3801328 B3801329	B3047402 B3049998	See Note 3 See Note 4
NT, NH	6	5 1/2"	(LE & HS)	B3014459	B3801330 B3801348	B3801328 B3801329	B3047402 B3049998	See Note 3 See Note 4
Power Torque-270	6	5 1/2"	(LE & HS)	B3014459	B3801330 B3801348	B3801328 B3801329	B3047402 B3049998	See Note 3 See Note 4
Power Torque-300	6	5 1/2"	(LE & HS)	B3014459	B3801330 B3801348	B3801328 B3801329	B3047402 B3049998	See Note 3 See Note 4
Power Torque-330	6	5 1/2"	(LE & HS)	B3014459	B3801330 B3801348	B3801328 B3801329	B3047402 B3049998	See Note 3 See Note 4
NTC-290	6	5 1/2"	(LE & HS)	B3014459	B3801330 B3801348	B3801328 B3801329	B3047402 B3049998	See Note 3 See Note 4
NTC-335	6	5 1/2"	(LE & HS)	B3014459	B3801330 B3801348	B3801328 B3801329	B3047402 B3049998	See Note 3 See Note 4
(NT270, NT- 280, NT310, NT 335, NT- 350, NT370 NT380, NT- 400, NT855, NTC280, NTC310, NTC335, NTC350)	6	5 1/2"	(LE & HS)	B3014459	B3801330 B3801348	B3801328 B3801329	B3047402 B3049998	See Note 3 See Note 4

Gaskets (Continued)

17.00.0

AUTOMOTIVE BIG CAM I

855 SERIES (Continued)

MODEL NO.	CYL	BORE	OVERHAUL	LOWER ENGINE	REMARKS	HEAD SET	SINGLE HEAD SET	HEAD GSKT (ASSY.)	REMARKS
NTC-250/ Formula	6	5 1/2"	(LE & HS)	B3801468		B3801330 B3801348	B3801328 B3801329	B3047402 B3049998	See Note 3 See Note 4
NTC-290/ Formula	6	5 1/2"	(LE & HS)	B3801468		B3801330 B3801348	B3801328 B3801329	B3047402 B3049998	See Note 3 See Note 4
NHHTC-290/ Formula	6	5 1/2"	(LE & HS)	B3801468		B3801330 B3801348	B3801328 B3801329	B3047402 B3049998	See Note 3 See Note 4
NHHTCC- 290/Formula	6	5 1/2"	(LE & HS)	B3801468		B3801330 B3801348	B3801328 B3801329	B3047402 B3049998	See Note 3 See Note 4
NTC-350/ Formula	6	5 1/2"	(LE & HS)	B3801468		B3801330 B3801348	B3801328 B3801329	B3047402 B3049998	See Note 3 See Note 4
NHHTC-350/ Formula	6	5 1/2"	(LE & HS)	B3801468		B3801330 B3801348	B3801328 B3801329	B3047402 B3049998	See Note 3 See Note 4
NHHTCC-350/ Formula	6	5 1/2"	(LE & HS)	B3801468		B3801330 B3801348	B3801328 B3801329	B3047402 B3049998	See Note 3 See Note 4
NTC-400	6	5 1/2"	(LE & HS)	B3801468		B3801350 B3801348	B3801328 B3801329	B3047402 B3049998	See Note 3 See Note 4
NTCC-400	6	5 1/2"	(LE & HS)	B3801469		B3801350 B3801348	B3801328 B3801329	B3047402 B3049998	See Note 3 See Note 4
NTCC-400	6	5 1/2"	(LE & HS)	B3018762	See Note 5	B3801330 B3801348	B3801328 B3801329	B3047402 B3049998	See Note 3 See Note 4

AUTOMOTIVE BIG CAM I/II MVT

MODEL NO.	CYL.	BORE	OVERHAUL	LOWER ENGINE	HEAD SET	SINGLE HEAD SET	HEAD GSKT (ASSY.)	REMARKS
NTCC-300/ Formula	6	5 1/2"	(LE & HS)	B3801469	B3801330 B3801348	B3801328 B3801329	B3047402 B3049998	See Note 3 See Note 4
NTCC-350/ Formula	6	5 1/2"	(LE & HS)	B3801469	B3801330 B3801348	B3801328 B3801329	B3047402 B3049998	See Note 3 See Note 4
NTCC-400	6	5 1/2"	(LE & HS)	B3801469	B3801330 B3801348	B3801328 B3801329	B3047402 B3049998	See Note 3 See Note 4
NTC-475 (T-18-A)	6	5 1/2"	(LE & HS)	B3801469	B3801332 B3801348	B3801328 B3801329	B3047402 B3049998	See Note 3 See Note 4
NTC-300	6	5 1/2"	(LE & HS)	B3801469	B3801330 B3801348	B3801328 B3801329	B3047402 B3049998	See Note 3 See Note 4
NTC-350	6	5 1/2"	(LE & HS)	B3801469	B3801330 B3801348	B3801328 B3801329	B3047402 B3049998	See Note 3 See Note 4
NTC-400	6	5 1/2"	(LE & HS)	B3801469	B3801330 B3881348	B3801328 B3801329	B3047402 B3049998	See Note 3 See Note 4

GASKETS

Gaskets (Continued)

17.00.0

AUTOMOTIVE big cam II

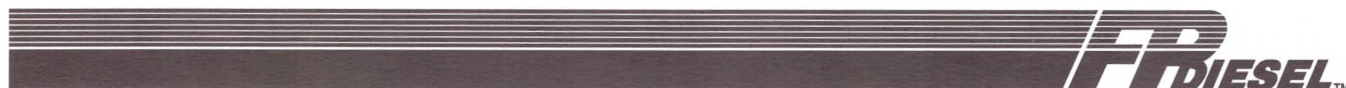
855 SERIES (Continued)

MODEL NO.	CYL.	BORE	OVERHAUL	LOWER ENGINE	HEAD SET	SINGLE HEAD SET	HEAD GSKT. (ASSY.)	REMARKS
NTC-270/ Formula Power	6	5 1/2"	(LE & FIS)	B3801468	B3801330 B3801348	B3801328 B3801329	B3047402 B3049998	See Note 3 See Note 4
Torque-270 Fleet 270	6	5 1/2"	(LE & HS)	B3801468	B3801330 B3801348	B3801328 B3801329	B3047402 B3049998	See Note 3 See Note 4
NTC-290/ Formula	6	5 1/2"	(LE & HS)	B3801468	B3801330 B3801348	B3801328 B3801329	B3047402 B3049998	See Note 3 See Note 4
NTCC-290/ Formula	6	5 1/2"	(LE & HS)	B3801468	B3801330 B3801348	B3801328 B3801329	B3047402 B3049998	See Note 3 See Note 4
NTC-300/ Formula	6	5 1/2"	(LE & HS)	B3801468	B3801330 B3801348	B3801328 B3801329	B3047402 B3049998	See Note 3 See Note 4
NTC-350/ Formula	6	5 1/2"	(LE & HS)	B3801468	B3801330 B3801348	B3801328 B3801329	B3047402 B3049998	See Note 3 See Note 4
NTC-400	6	5 1/2"	(LE & HS)	B3801468	B3801330 B3801348	B3801328 B3801329	B3047402 B3049998	See Note 3 See Note 4

AUTOMOTIVE BIG CAM III

MODEL NO.	CYL.	BORE	OVERHAUL	LOWER ENGINE	HEAD SET	SINGLE HEAD SET	HEAD GSKT. (ASSY.)	REMARKS
Power Torque 270 Fleet 270	6	5 1/2"	(LE & HS)	B3801235	B3801330 B3801348	B3801328 B3801329	B3047402 B3049998	See Note 3 See Note 4
NTC-300/ Formula Fleet 300	6	5 1/2"	(LE & HS)	B3801235	B3801330 B3801348	B3801328 B3801329	B3047402 B3049998	See Note 3 See Note 4
NTC-300/ Formula	6	5 1/2"	(LE & HS)	B3801235	B3801330 B3801348	B3801328 B3801329	B3047402 B3049998	See Note 3 See Note 4
NTC-350/ Formula	6	5 1/2"	(LE & HS)	B3801235	B3801330 B3801348	B3801328 B3801329	B3047402 B3049998	See Note 3 See Note 4
NTC-400 Formula	6	5 1/2"	(LE & HS)	B3801235	B3801330 B3801348	B3801328 B3801329	B3047402 B3049998	See Note 3 See Note 4

GASKETS



Gaskets (Continued)

17.00.0

construction BIG CAM III

855 SERIES (Continued)

MODEL NO.	CYL.	BORE	OVERHAUL	LOWER ENGINE	HEAD SET	SINGLE HEAD SET	HEAD GSKT. (ASSY.)	REMARKS
NT-855-C335	6	5 1/2"	(LE & HS)	B3801235	B3801330 B3801348	B3801328 B3801329	B3047402 B3049998	See Note 3 See Note 4
NTA-855-C360	6	5 1/2"	(LE & HS)	B3801235	B3801330 B3801348	B3801328 B3801329	B3047402 B3049998	See Note 3 See Note 4
NTA-855-C400	6	5 1/2"	(LE & HS)	B3801235	B3801330 B3801348	B3801328 B3801329	B3047402 B3049998	See Note 3 See Note 4

BIG CAM III - NTCC/MVT

MODEL NO.	CYL.	BORE	OVERHAUL	LOWER ENGINE	HEAD SET	SINGLE HEAD SET	HEAD GSKT. (ASSY.)	REMARKS
TCC-300/Formula	6	5 1/2"	(LE & HS)	B3801235	B3801330 B3801348	B3801328 B3801329	B3047402 B3049998	See Note 3 See Note 4
TCC-350	6	5 1/2"	(LE & HS)	B3801235	B3801330 B3801348	B3801328 B3801329	B3047402 B3049998	See Note 3 See Note 4
TCC-400/Formula	6	5 1/2"	(LE & HS)	B3801235	B3801330 B3801348	B3801328 B3801329	B3047402 B3049998	See Note 3 See Note 4
TC-475/Formula	6	5 1/2"	(LE & HS)	B3801235	B3801330 B3801348	B3801328 B3801329	B3047402 B3049998	See Note 3 See Note 4

Gaskets (Continued)

17.00.0

BIG CAM IV (OPTIMIZED AFTERCOOLING) 855 SERIES (Continued)

MODEL NO.	CYL	BORE	OVERHAUL	LOWER ENGINE	REMARKS	HEAD SET	SINGLE HEAD SET	HEAD GSKT. (ASSY.)	REMARKS
NTC-300	6	5 1/2"	(LE & HS)	B3801454		B3801451 B3801451+10	B3801453 B3801453+10	B3047402 B3049998	See Note 3
NTC-315	6	5 1/2"	(LE & HS)	B3801454		B3801451 B3801451+10	B3801453 B3801453+10	B3047402 B3049998	See Note 3
NTC-350	6	5 1/2"	(LE & HS)	B3801454		B3801451 B3801451+10	B3801453 B3801453+10	B3047402 B3049998	See Note 3
NTC-365	6	5 1/2"	(LE & HS)	B3801454		B3801451 B3801451+10	B3801453 B3801453+10	B3047402 B3049998	See Note 3
NTC-400	6	5 1/2"	(LE & HS)	B3801454		B3801451 B3801451+10	B3801453 B3801453+10	B3047402 B3049998	See Note 3
NTC-444	6	5 1/2"	(LE & HS)	B3801454	Fixed Timing	B3801451 B3801451+10	B3801453 B3801453+10	B3047402 B3049998	See Note 3
NTC-NTCC-444	6	5 1/2"	(LE & HS)	B3801454	STC MVT	B3801754 B3801754+10	B3801753 B3801753+10	B3047402 B3049998	
88 Big Cam	6	5 1/2"	(LE & HS)	B3801454		B3803040 B3803040+10	B3803150 B3803150+10	B3047402 B3049998	7 Bolts

CONSTRUCTION SMALL CAM

MODEL NO.	CYL	BORE	OVERHAUL	LOWER ENGINE	REMARKS	HEAD SET	SINGLE HEAD SET	HEAD GSKT. (ASSY.)	REMARKS
N-855- C250	6	5 1/2"	(LE & HS)	B3801463	See Note 2	B3801330 B3801348	B3801328 B3801329	B3047402 B3049998	See Note 3 See Note 4
NT-855, C-250,280	6	5 12"	(LE & HS)	B3014459		B3801330 B3801348	B3801328 B3801329	B3047402 B3049998	See Note 3 See Note 4
310, 335 355, 360 NTA-855, C360, 400, 420	6	5 1/2"	(LE & HS)	B3801465		B3801330 B3801348	B3801328 B3801329	B3047402 B3049998	See Note 3 See Note 4

CONSTRUCTION BIG CAM

MODEL NO.	CYL	BORE	OVERHAUL	LOWER ENGINE	HEAD SET	SINGLE HEAD SET	HEAD GSKT. (ASSY.)	REMARKS
N-855- C250	6	5 1/2"	(LE & HS)	B3801465	B3801330 B3801348	B3801328 B3801329	B3047402 B3049998	See Note 3 See Note 4
NT-855, C-250,280	6	5 12"	(LE & HS)	B3801465	B3801330 B3801348	B3801328 B3801329	B3047402 B3049998	See Note 3 See Note 4
310, 335 NTA-855, C-250	6	5 1/2"	(LE & HS)	B3801465	B3801330 B3801348	B3801328 B3801329	B3047402 B3049998	See Note 3 See Note 4
400					B3801348	B3801329	B3049998	See Note 4

GASKETS

Gaskets (Continued)

17.00.0

AUTOMOTIVE

MEDIUM V SERIES

MODEL NO.	CYL	BORE	OVERHAUL	LOWER ENGINE	REMARKS	HEAD SET	SINGLE HEAD SET	HEAD GSKT. (ASSY.)	REMARKS
VT-300	V8	5 1/2"	(LE&HS)	B3014458		B3013497	B3013498	B0212224	See Note 7
VT-350	V8	5 1/2"	(LE & HS)	B3014458		B3013497	B3013498	B0212224	See Note 7
VTB-903	V8	5 1/2"	(LE & HS)	B3013496	See Note 8	B3013497	B3013498	B0212224	See Note 7
VTBC-903	V8	5 1/2"	(LE & HS)	B3013496	See Note 8	B3013497	B3013498	B0212224	See Note 7

CONSTRUCTION

MODEL NO.	CYL	BORE	OVERHAUL	LOWER ENGINE	HEAD SET	SINGLE HEAD SET	HEAD GSKT. (ASSY.)	REMARKS
V-903-C265,295	V8	5 1/2"	(LE & HS)	B3014458	B3013497	B3013498	B0212224	See Note 7
VT-903 C270, 300, 375	V8	5/12"	(LE & HS)	B3014458	B3013497	B3013498	B0212224	See Note 7

V-28 SERIES (1710)

MODEL NO.	CYL	BORE	OVERHAUL	LOWER ENGINE	REMARKS	HEAD SET	SINGLE HEAD SET	HEAD GSKT. (ASSY.)	REMARKS
V28 High Profile	12	5 1/2"	(LE & HS)	B3017564	See Note 12	PG1710HP	PG1710SH	BBM-98021	See Note 13
V28 Low Profile	12	5 1/2"	(LE & HS)	B3017564	See Note 12	PG1710LP	PG1710SH	BBM-98021	See Note 14
V28 Original	12	5 1/2"	(LE & HS)	B3017564	See Note 12				See Note 15

*Contains no crank seals. See note 19.

GASKETS



Gaskets (Continued)

17.00.0

AUTOMOTIVE

KT SERIES

MODEL NO.	CYL	BORE	OVERHAUL	LOWER ENGINE	REMARKS	HEAD SET	SINGLE HEAD SET	HEAD GSKT. (ASSY.)	REMARKS
KT19-400	6	6 1/4"	(LE & HS)	B3801006	See Note 9	B3801004	B3015239	B0205479	See Note 10
KT19-400	6	6 1/4"	(LE & HS)	B3801007	See Note 11	B3801004	B3015239	B0205479	See Note 10
KT19-425	6	6 1/4"	(LE & HS)	B3801006	See Note 9	B3801004	B3015239	B0205479	See Note 10
KT19-425	6	6 1/4"	(LE & HS)	B3801007	See Note 11	B3801004	B3015239	B0205479	See Note 10
KT19-450	6	6 1/4"	(LE & HS)	B3801006	See Note 9	B3801004	B3015239	B0205479	See Note 10
KT19-450	6	6 1/4"	(LE & HS)	B3801007	See Note 11	B3801004	B3015239	B0205479	See Note 10
KTA19-525	6	6 1/4"	(LE & HS)	B3801006	See Note 9	B3801005	B3015239	B0205479	See Note 10
KTA19-525	6	6 1/4"	(LE & HS)	B3801007	See Note 11	B3801005	B3015239	B0205479	See Note 10
KTA19-600	6	6 1/4"	(LE & HS)	B3801006	See Note 9	B3801005	B3015239	B0205479	See Note 10
KTA19-600	6	6 1/4"	(LE & HS)	B3801007	See Note 11	B3801005	B3015239	B0205479	See Note 10
KTC19-450	6	1 1/4"	(LE & HS)	B3801006	See Note 9	B3801004	B3015239	B0205479	See Note 10

CONSTRUCTION, MARINE, GENERATOR, INDUSTRIAL POWER

MODEL NO.	CYL	BORE	OVERHAUL	LOWER ENGINE	REMARKS	HEAD SET	SINGLE HEAD SET	HEAD GSKT. (ASSY.)	REMARKS
KT 19-1150-C450, 525	6	6 1/4"	(LE & HS)	B3801006	See Note 9	B3801004	B3015239	B0205479	See Note 10
KT 19-1150-C450, 525	6	6 1/4"	(LE & HS)	B3801007	See Note 11	B3801004	B3015239	B0205479	See Note 10
KTA19-1150-C600, 635	6	6 1/4"	(LE & HS)	B3801006	See Note 9	B3801005	B3015239	B0205479	See Note 10
KTA19-1150-C600, 635	6	6 1/4"	(LE & HS)	B3801006	See Note 11	B3801005	B3015239	B0205479	See Note 10
KT19-1150-365M	6	6 1/4"	(LE & HS)	B3801007	See Note 9	B3801004	B3015239	B0205479	See Note 10
KT 19-1150-375G	6	6 1/4"	(LE & HS)	B3801006	See Note 9	B3801004	B3015239	B0205479	See Note 10
KT19-1150-400M	6	6 1/4"	(LE & HS)	B3801006	See Note 9	B3801004	B3015239	B0205479	See Note 10
KT 19-1150-450IP	6	6 1/4"	(LE & HS)	B3801006	See Note 9	B3801004	B3015239	B0205479	See Note 10
KT 19-1150-460G	6	6 1/4"	(LE & HS)	B3801006	See Note 9	B3801004	B3015239	B0205479	See Note 10

GASKETS

Gaskets (Continued)

17.00.0

7

CONSTRUCTION, MARINE, GENERATOR, AND LOCOMOTIVE

KT SERIES

MODEL NO.	CYL.	BORE	OVERHAUL	LOWER ENGINE	HEAD SET	SINGLE HEAD SET	HEAD GSKT. (ASSY.)	REMARKS
KT38-700 760, 780 790,910	12	6 1/4"	(LE & HS)	B3801719	B3801720	B3015239	B0205479	
KTA/KTTA38- 940,1045 1050, 1115 1200	12	6 1/4"	(LE & HS)	B3801719	B3801720*	B3015239	B0205479	*Use B3801896 with KTTA

CONSTRUCTION KT SERIES

MODEL NO.	CYL.	BORE	OVERHAUL	LOWER ENGINE	HEAD SET	SINGLE HEAD SET	HEAD GSKT. (ASSY.)
KT-50	16	6 1/4"	(LE & HS)	B3801717	B3801718	B3015239	B0205479

1. (HS) Standard both banks.
2. (OH) 1.01. engines. Steel plate head gasket.
3. (HS) Use with T-50 or T-590 Turbocharger.
4. 0.010 inch oversize water grommet.
5. Wet clutch applications.
6. (HS) Big Cam II.
7. (HS) For engines to accept Jacobs Brake.
8. (LE) For bus engine.
9. (LE) For use with gear cover and gear housing, design only.
10. Single head set; 1 head only.
11. (LE) For use with gear cover and steel plate design only.
12. Phase 1, 2, 3, and low profile. All applications.
13. Phase 2, 3, dry manifold with or without square aftercooler.
14. Low, long aftercooler (like 855) late style engine.
15. Water manifold, non-turbocharged.
16. (OH) 1.01. engines.
17. (HS) Steel plate head gasket.
18. (HS) Steel plate head gasket and T-50 or T-590 Turbocharger.
19. Teflon seals for popular 1710 snub nose crank (6 bolts) front B3020182; rear B3005887 wet clutch B3016790 dry clutch

GASKETS

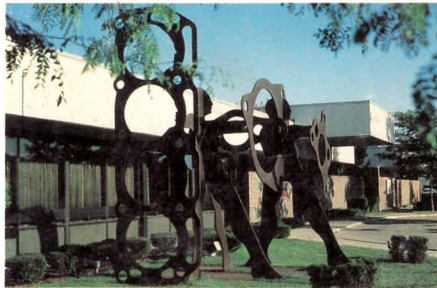


A Member Of The FEL-PRO Family of Companies.

THE NAME FEL-PRO HAS BEEN
SYMBOLIC OF INNOVATIVE LEADERSHIP
AND EXCELLENCE

in products and services in the world of
sealing and related areas since 1918.

The FEL-PRO Corporate family pledges
continued dedication to innovation and
excellence, serving a growing family of cus-
tomers worldwide in the years ahead.



UNITED STATES
FP Diesel L.P.
5412 McFadden Avenue
Huntington Beach, California 92649 USA
PH (714) 898-9955 or (800) BERRICK FX (714) 894-9356

EUROPE
FP Diesel Limited
Unit A, Hanworth Trading Estate
Hanworth Lane, Chertsey
Surrey, KT16 9JX England
PH 0-932-571554 FX 0-932-571585 TLX 917264 ESBE0E